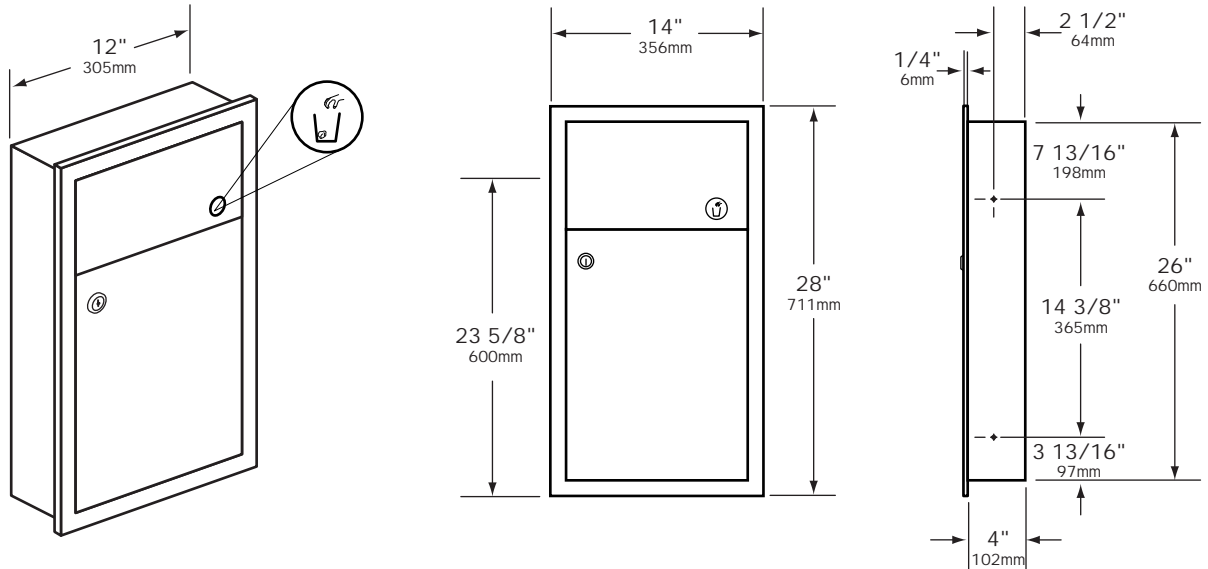


WR-7 Waste Receptacle



Construction:

Fabricated 18-8 type 304 stainless steel with exposed surfaces #4 satin finished. One piece seamless 22 gauge (0.8mm) flange provided with 1/4" (6mm) return for rigidity. Extra heavy 18 gauge (1.2mm) door, hung on continuous stainless steel piano hinge, and fitted with tumbler lock. Self-closing push door with international waste symbol, mounted on full length stainless steel piano hinge. All welded construction. Stainless steel inner container capacity 3 gallons.

Installation:

Provide framed wall opening. Recessed depth required from finish face of wall is 4" (102mm). Check plans and coordinate with mechanical engineer to avoid protrusion from opposite wall, pipes, conduits, electrical wiring etc. If installing in plaster wall recommend grounding. If installing where unit projects above top of wainscot, provide filler to prevent gap from finished wall and flange of unit. Installing in block walls use metal expansion shields. 1/8" (3mm) gap recommended between units for door clearance.

Overall Dimensions:

14"W x 28"H x 4"D
356mm x 711mm x 102mm

Wall Opening:

12-1/2"W x 26-1/2"H x 4"D
318mm x 673mm x 102mm

Mounting:

52" (1,321mm) to top of unit, 38" (965mm) for handicapped

ADA Guide:

Access to paper towels should be 15" (381mm) to 48" (1,219mm) above the finish floor to allow for forward and side reach by people in wheelchairs. Hinged panels covering waste receptacle openings should not require more than 5 pounds of force to open. Units should not project more than 4" (102mm) from the wall.

Options:

WR-7F same as WR-7 except with 2" (51mm) skirt for semi-recessing
WR-7FS same as WR-7 except with 4" (102mm) skirt for surface mounting

Manufacturer reserves the right to make changes in design or dimensions without formal notice.