

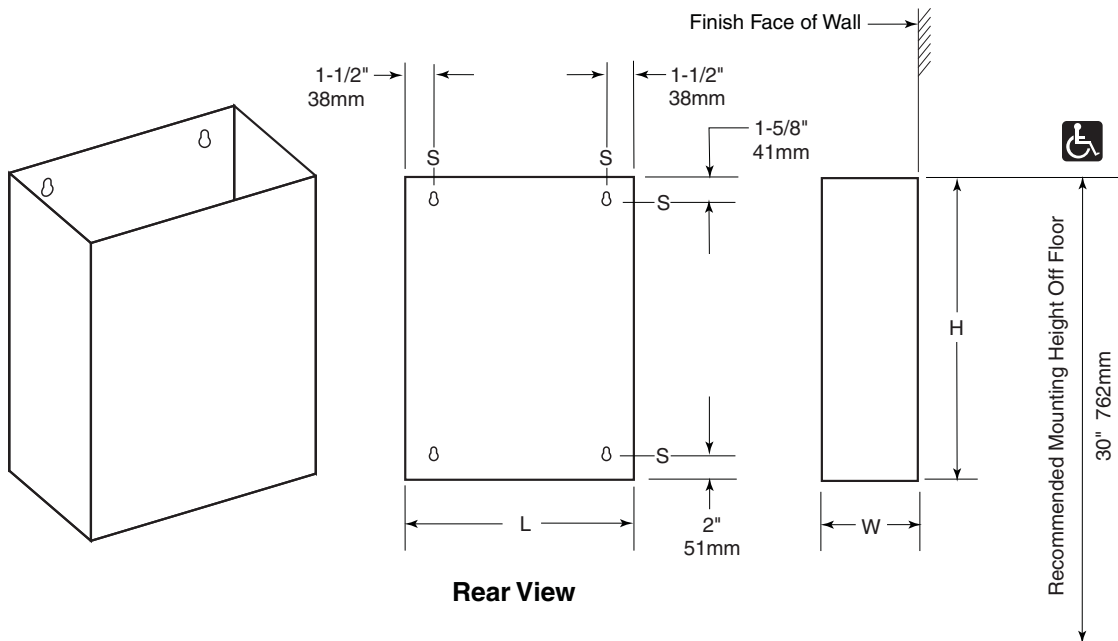
Date:

Project Name:

**AVAILABLE SIZES**

Model No.	Capacity	Length	Width	Height
WR-1	21-gallon 79.5-L	16-1/2" 419mm	12-1/2" 318mm	23" 584mm
WR-2	7-gallon 26.5-L	14" 356mm	6" 152mm	18" 457mm
WR-3	2-gallon 7.6-L	10-1/2" 267mm	4-1/2" 114mm	9" 229mm
WR-14	12-gallon 45.4-L	15-1/4" 387mm	8" 203mm	23" 584mm

**Note:** WR-1, WR-2 Provided with leak proof, reusable vinyl liner.



**CONSTRUCTION:**

Unit fabricated of type 304 22-gauge (0.8mm) stainless steel. All welded construction with exposed surfaces having a #4 satin-finish. Hemmed top and bottom edges for safety. Keyholes in rear allow for easy installation.

Surface-Mounted Waste Receptacle shall be Model \_\_\_\_\_ (insert model number) of GAMCO Commercial Restroom Accessories, A Division of Bobrick, One Gamco Place, Durant, OK