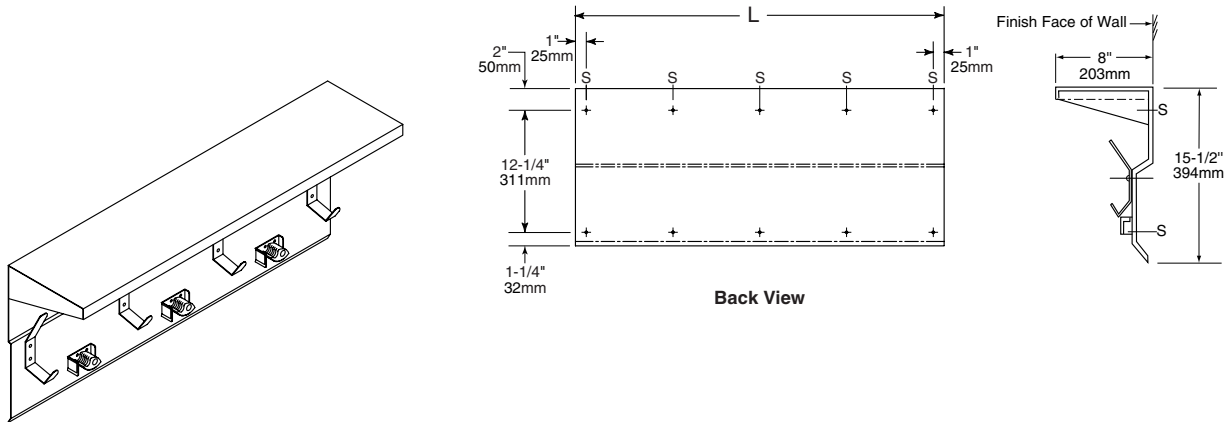


Date:

Project Name:



STANDARD STOCK SIZES

Model No.	Length	No. of Holders	No. of Rag Hooks	Width	Height
US-5	34" 864mm	3	4	8" 203mm	15-1/2" 394mm
US-6	44" 1118mm	4	5	8" 203mm	15-1/2" 394mm
US-7	54" 1372mm	5	6	8" 203mm	15-1/2" 394mm

MATERIALS:

Mounting Base and Shelf - 18-8 S, type 304, 18-gauge (1.2mm) stainless steel with satin-finish. All-welded construction. Shelf is 8" (205mm) deep with 3/4" (19mm) return edge for maximum rigidity.

Shelf Support Brackets - 18-8 S, type 304, 18-gauge (1.2mm) stainless steel with satin-finish. Welded to mounting base and shelf.

Mop/Broom Holders - Spring-loaded rubber cams with anti-slip coating.

Rag Hooks - 18-8 S, type 304, 16-gauge (1.6mm) stainless steel with satin-finish; secured to shelf with rivets.

OPERATION:

Surface-mounted utility shelf with holders is designed to keep mops and brooms away from wall. Spring-loaded rubber cam holders accommodate mop or broom handles from 7/8" to 1-1/4" (22 to 32mm) diameter. Utility shelf above handle area provides clear access to stored materials.

INSTALLATION:

Secure unit to wall with four sheet-metal screws, furnished by manufacturer, at points indicated by an S. For plaster or dry wall construction, provide concealed backing to comply with local building codes, then secure unit with sheet-metal screws furnished. For other wall surfaces, provide fiber plugs or expansion shields for use with sheet-metal screws furnished, or provide 1/8" (3mm) toggle bolts or expansion bolts.

SPECIFICATIONS:

Surface-mounted utility shelf with mop/broom holders and rag hooks shall be type 304 stainless steel with satin-finish. Shelf shall be 18-gauge (1.2mm) with 1-1/2" (38mm) return edge. Mounting brackets, welded to shelf, shall be 16-gauge (1.6mm).

Utility Shelf With Mop/Broom Holders And Rag Hooks shall be Model _____ (insert model number) of Gamco Commercial Restroom Accessories, A Division of Bobrick, One Gamco Place, Durant, OK