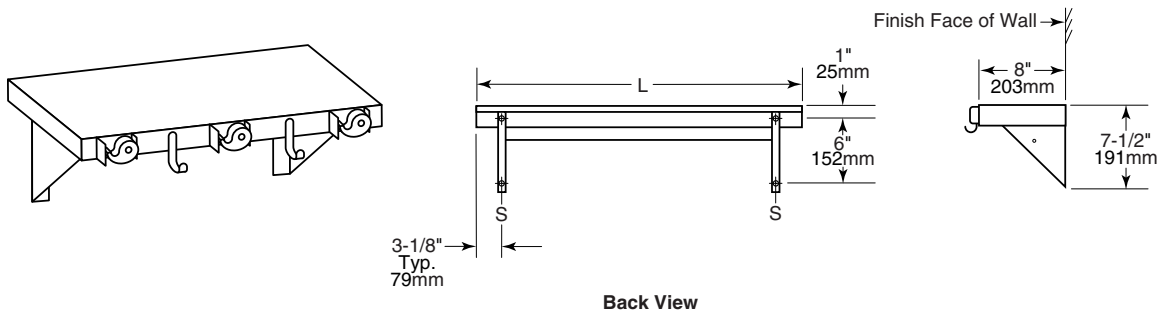


Date:

Project Name:



STANDARD STOCK SIZES

Model No.	Length	No. of Holders	No. of Rag Hooks	Width	Height
US-1	30" 762mm	3	2	8" 203mm	7-1/2" 191mm
US-2	36" 914mm	4	3	8" 203mm	7-1/2" 191mm
US-3	42" 1066mm	5	4	8" 203mm	7-1/2" 191mm
US-4	48" 1219mm	6	5	8" 203mm	7-1/2" 191mm

MATERIALS:

Shelf - 18-8 S, type 304, 18-gauge (1.2mm) stainless steel with satin-finish. Shelf has 1-1/2" (38mm) return edge for maximum rigidity.

Mounting Brackets - 18-8 S, type 304, 16-gauge (1.6mm) stainless steel with satin-finish; welded to shelf.

Mop/Broom Holders - Spring-loaded rubber cams with anti-slip coating.

Rag Hooks - 18-8 S, type 304, 16-gauge (1.6mm) stainless steel with satin-finish; secured to shelf with rivets.

Towel Rod - 18-8 S, type 304, 1/4" (6mm) diameter stainless steel with satin-finish.

OPERATION:

Surface-mounted utility shelf with holders is designed to keep mops and brooms away from wall. Spring-loaded rubber cam holders accommodate mop or broom handles from 7/8" to 1-1/4" (22 to 32mm) diameter. Hooks for conveniently storing rags are located on front of shelf. Rod for hanging wet rags is located below shelf between mounting brackets.

INSTALLATION:

Secure unit to wall with four sheet-metal screws, furnished by manufacturer, at points indicated by an S. For plaster or dry wall construction, provide concealed backing to comply with local building codes, then secure unit with sheet-metal screws furnished. For other wall surfaces, provide fiber plugs or expansion shields for use with sheet-metal screws furnished, or provide 1/8" (3mm) toggle bolts or expansion bolts.

SPECIFICATIONS:

Surface-mounted utility shelf with mop/broom holders and rag hooks shall be type 304 stainless steel with satin-finish. Shelf shall be 18-gauge (1.2mm) with 1-1/2" (38mm) return edge. Mounting brackets, welded to shelf, shall be 16-gauge (1.6mm).

Utility Shelf With Mop/Broom Holders And Rag Hooks shall be Model _____ (insert model number) of Gamco Commercial Restroom Accessories, A Division of Bobrick, One Gamco Place, Durant, OK