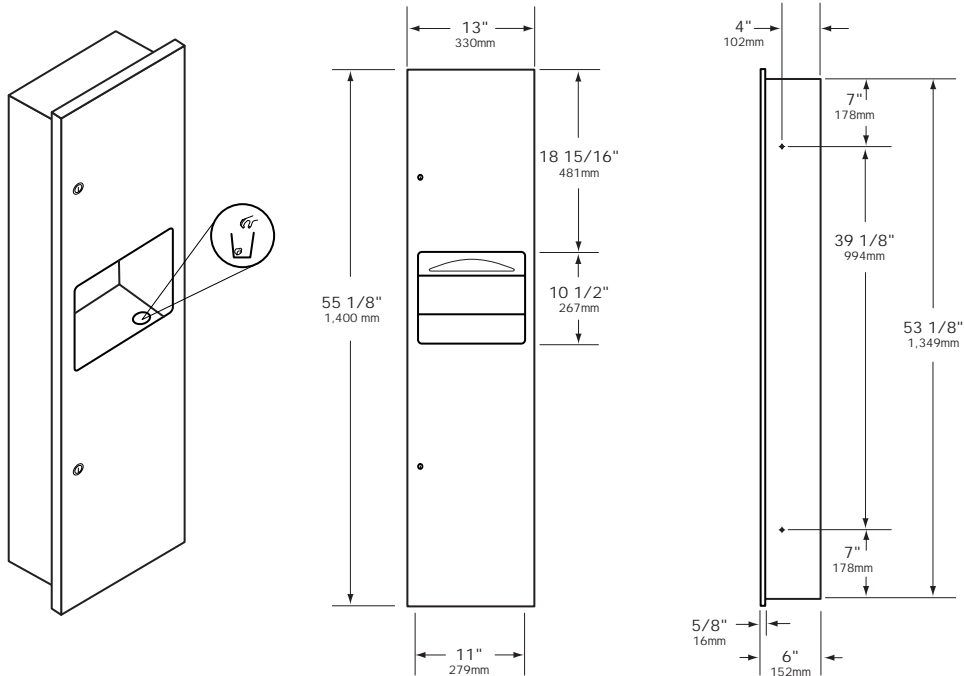


TW-9 Towel and Waste Disposal Combination



Construction:

Fabricated with 18-8-Type 304 heavy gauge stainless steel. All welded construction with exposed surfaces having a #4 satin finish. One piece seamless door construction, EXTRA HEAVY 18 gauge (1.2mm) with 5/8" (16mm) return for rigidity. Door is mounted to cabinet with continuous stainless steel piano hinge and fitted with two tumbler locks. Self-closing push door mounted on continuous stainless steel piano hinge with International Symbol.

Capacity:

600 C-fold or 800 Multi-fold towels or 1100 single-fold towels
5-1/2" (140mm) gallon plastic inner container

Overall Dimensions:

14"W x 58"H x 6"D
356mm x 1,473mm x 152mm

Wall Opening:

11-1/2"W x 53-5/8"H x 5-3/4" min D
392mm x 1,362mm x 146mm

Mounting Height:

72" (1,828mm) to top of unit, 62" (1,575mm) for handicapped

ADA Guide:

Access to paper towels should be 15" (381mm) to 48" (1,219mm) above the finish floor to allow forward and side reach by people in wheelchairs. Hinged panels covering waste receptacle openings should not require more than 5 pounds of force to open. Units should not project more than 4" (102mm) from the wall.

Options:

TW-9F Same as TW-9 but with 2" (51mm) skirt for semi-recessing
TW-9FS Same as TW-9 but with 6" (152mm) skirt for surface mounting
TW-9-4 Same as TW-9 but for 4" (102mm) walls, fully recessed, with no push door, 4-1/2" (108mm) gallon capacity

Manufacturer reserves the right to make changes in design or dimensions without formal notice.