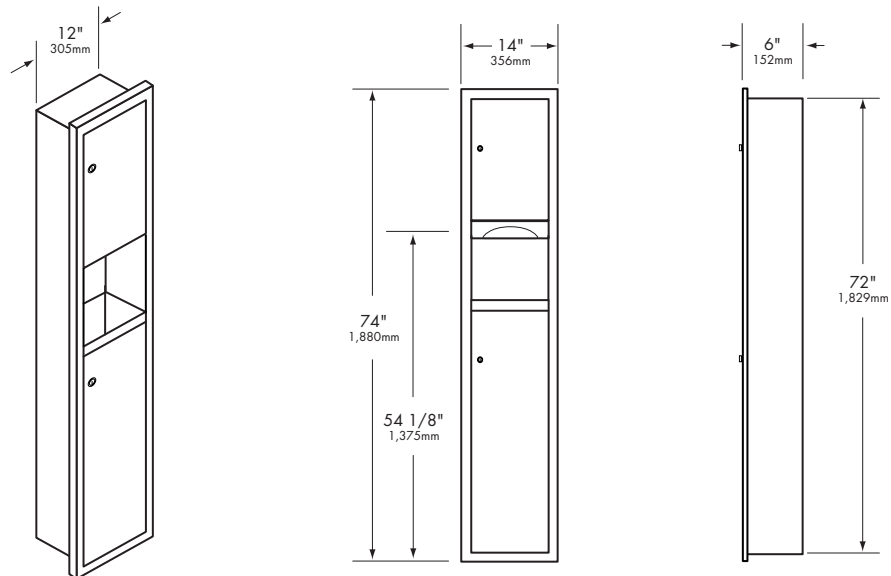




TW-5 Towel Dispenser and Waste Receptacle Combination



Construction:

Fabricated 18-8 type 304 heavy gauge stainless steel. All welded construction with exposed surfaces having a #4 satin finish. One piece seamless 22 gauge (0.8mm) flange provided with 1/4" (6mm) return for rigidity. Extra heavy 18 gauge (1.2mm) doors, warp free, hung on continuous stainless steel piano hinge, and fitted with tumbler locks. All welded construction. 600 C-fold, 800 Multi-fold, or 1100 single fold towels. Plastic inner container, 10.5 gallon (39.7L) capacity.

Overall Dimensions:

14"W x 74"H x 6"D
356mm x 1,880mm x 152mm

Wall Opening:

12-1/2"W x 72-1/2"H x 6" min D
318mm x 1,841mm x 152mm

Installation:

Provide framed wall opening. Recessed depth required from finish face of wall is 6" (152mm) deep. Check plans and coordinate with mechanical engineers to avoid protrusion from opposite wall, pipes, conduits, electrical wires, etc. If installing in plaster wall, recommend grounding. If installing where unit projects above top of wainscot, provide filler to prevent gap from finished wall and flange of unit. If installing in block walls, use metal expansion shields. 1/8" (3mm) gap recommended between units for door clearance.

Mounting:

78" (1,981mm) to top of unit

ADA Guide:

Access to paper towels should be 15" (381mm) to 48" (1,219mm) above the finish floor to allow forward and side reach by people in wheelchairs. Hinged panels covering waste receptacle openings should not require more than 5 pounds of force to open. Units should not project more than 4" (102mm) from the wall. Operable with one hand and without tight grasping, pinching, or twisting of the wrist.

Options:

TW-5F Same as TW-5 except with 2" (51mm) skirt for semi-recessing
TW-5FS Same as TW-5 except with 6" (152mm) skirt

Manufacturer reserves the right to make changes in design or dimensions without formal notice.