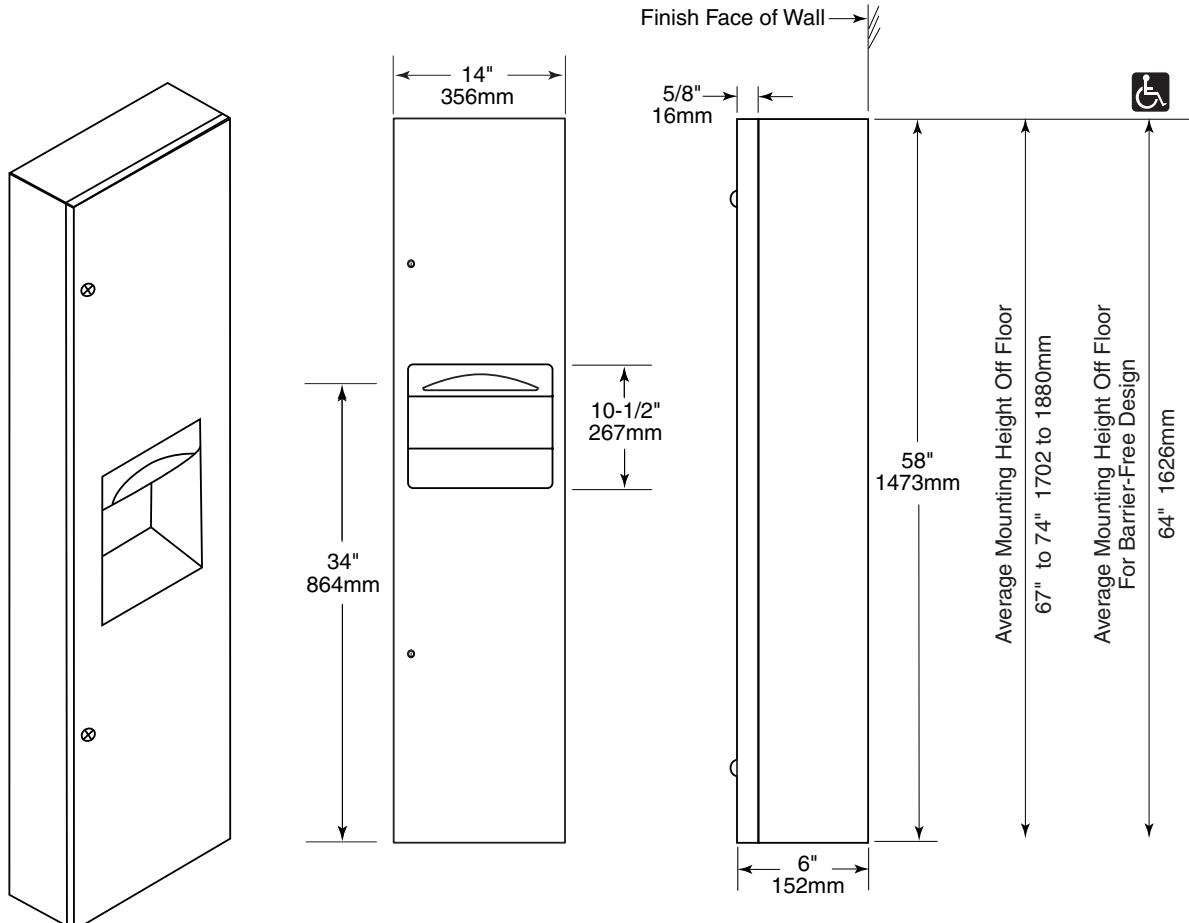


Date:

Project Name:



CONSTRUCTION:

Unit fabricated of type 304 stainless steel with exposed surfaces having a satin finish. One piece seamless door construction, EXTRA HEAVY 18-gauge (1.2mm) with 5/8" (16mm) return for rigidity. Door is mounted to cabinet with continuous stainless steel piano-hinge and fitted with two tumbler locks. Self-closing push door mounted on continuous stainless steel piano-hinge with international symbol. Waste receptacle is 24-gauge (0.6mm), with capacity 5-1/2-gallons (20.8-L), and 6" (152mm) skirt for surface mounting. All welded construction.

CAPACITY:

600 C-fold, 800 multi-fold or 1100 single-fold towels.

OVERALL DIMENSIONS:

14" W x 58" H x 6" D (356 x 1473 x 152mm)

Surface-Mounted Coverall Towel and Waste Receptacle Combination shall be Model TW-2FS of GAMCO Commercial Restroom Accessories, A Division of Bobrick, One Gamco Place, Durant, OK