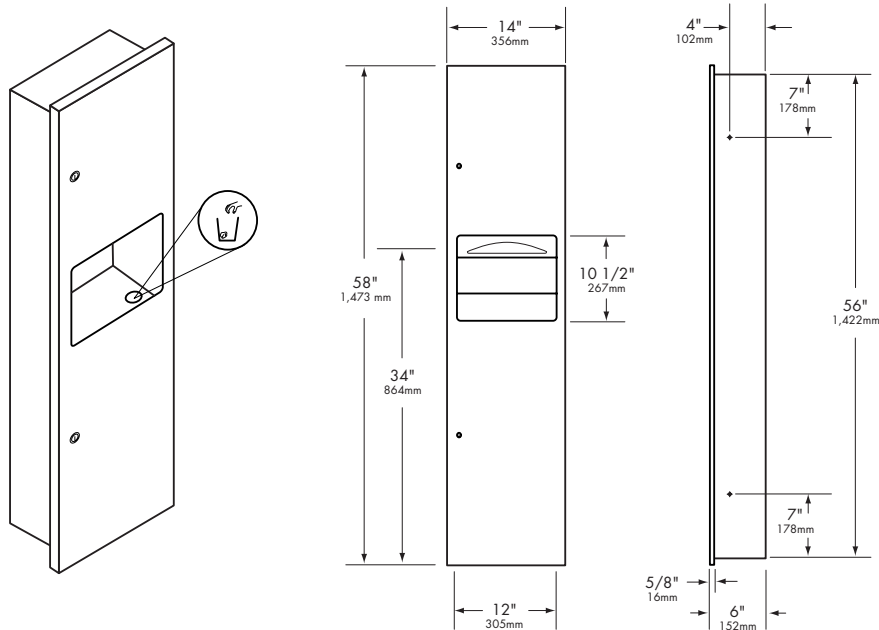


TW-2 Towel Dispenser and Waste Receptacle Combination



Construction:

Fabricated 18-8 type 304 heavy gauge stainless steel. All welded construction with exposed surfaces having a #4 satin finish. One piece seamless 18 gauge (1.2mm) door hung on continuous stainless steel piano hinge, and fitted with two tumbler locks. Door is self closing with international symbol. All welded construction. Waste receptacle is 22 gauge (0.8mm) and secured to cabinet with tumbler lock. Leak proof, rigid plastic inner container removable for servicing. 600 C-fold, 800 Multi-fold, or 1100 Single fold towels without use of adapters. Waste is 5-1/2 gallons (20.8L) capacity

Overall Dimensions:

14"W x 58"H x 6"D
(356mm) x (1,473mm) x (152mm)

Wall Opening:

12-1/2"W x 56-1/2"H x 5-1/2" min D
(318mm) x (1,435mm) x (140mm)

Installation:

Provide framed wall opening of 12-1/2" (318mm)W x 56-1/2" (1,435mm)H. Recessed depth required from finish face of wall is 5-1/2" (140mm) deep. Check plans and coordinate with mechanical engineers to avoid protrusion from opposite wall, pipes, conduits, electrical wires, etc. If installing in plaster wall, recommend grounding. If installing where unit projects above top of wainscot, provide filler to prevent gap from finished wall and flange of unit. If installing in block walls, use metal expansion shields.

ADA Guide:

Access to paper towels should be 15" (381mm) to 48" (1,219mm) above the finish floor to allow forward and side reach by people in wheelchairs. Hinged panels covering waste receptacle openings should not require more than 5 pounds of force to open. Units should not project more than 4" (102mm) from the wall. Operable with one hand and without tight grasping, pinching, or twisting of the wrist. Activation of lever should not require more than 5 pounds of force when unit is completely filled.

Manufacturer reserves the right to make changes in design or dimensions without formal notice.