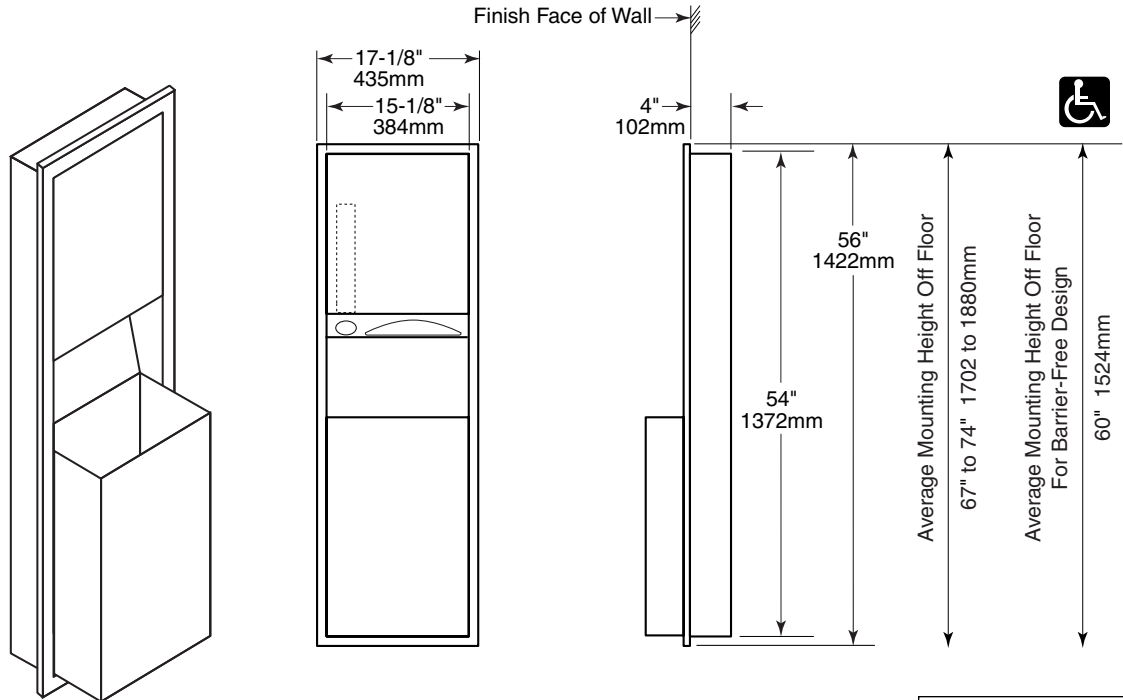


OPTIONS AVAILABLE

- Re-usable vinyl liners available
- 18-gallon (68.0-L) receptacles available

Date:

Project Name:



Rough Wall Opening
15-3/4" (400mm) wide
54-3/4" (1390mm) high
4" (102mm) minimum
recessed depth

CONSTRUCTION:

Fabricated of type 304 heavy gauge stainless steel. All welded construction with exposed surfaces having a #4 satin-finish. One piece seamless 22-gauge (0.8mm) flange provided with 1/4" (6mm) return for rigidity. Mirror door, 1/4" (6mm) float glass, stainless steel frame, warp-free, hung on continuous stainless steel piano hinge, and fitted with tumbler lock. Waste receptacle is 22-gauge (0.8mm) and secured to cabinet with tumbler lock and is removable for servicing. Top and bottom edges hemmed for safe handling. Fitted with cup dispenser, capacity 100 3-oz (0.1-L) paper cups.

CAPACITY:

600 C-fold or 800 Multi-fold towels without use of adapters. Waste receptacle is 12-gallon (45.4-L) capacity.

OVERALL DIMENSIONS:

17-1/8" W x 56" H x 4-1/4" D (435 x 1422 x 108mm)

ADA GUIDE:

Access to paper towels should be 15" to 48" (381 to 1219mm) above the finish floor to allow forward and side reach by people in wheelchairs. Units should not project more than 4" (102mm) from the wall.

Recessed Towel Dispenser and Waste Receptacle with Mirrored Door and Cup Dispenser shall be Model TW-1MC of GAMCO Commercial Restroom Accessories, A Division of Bobrick, One Gamco Place, Durant, OK