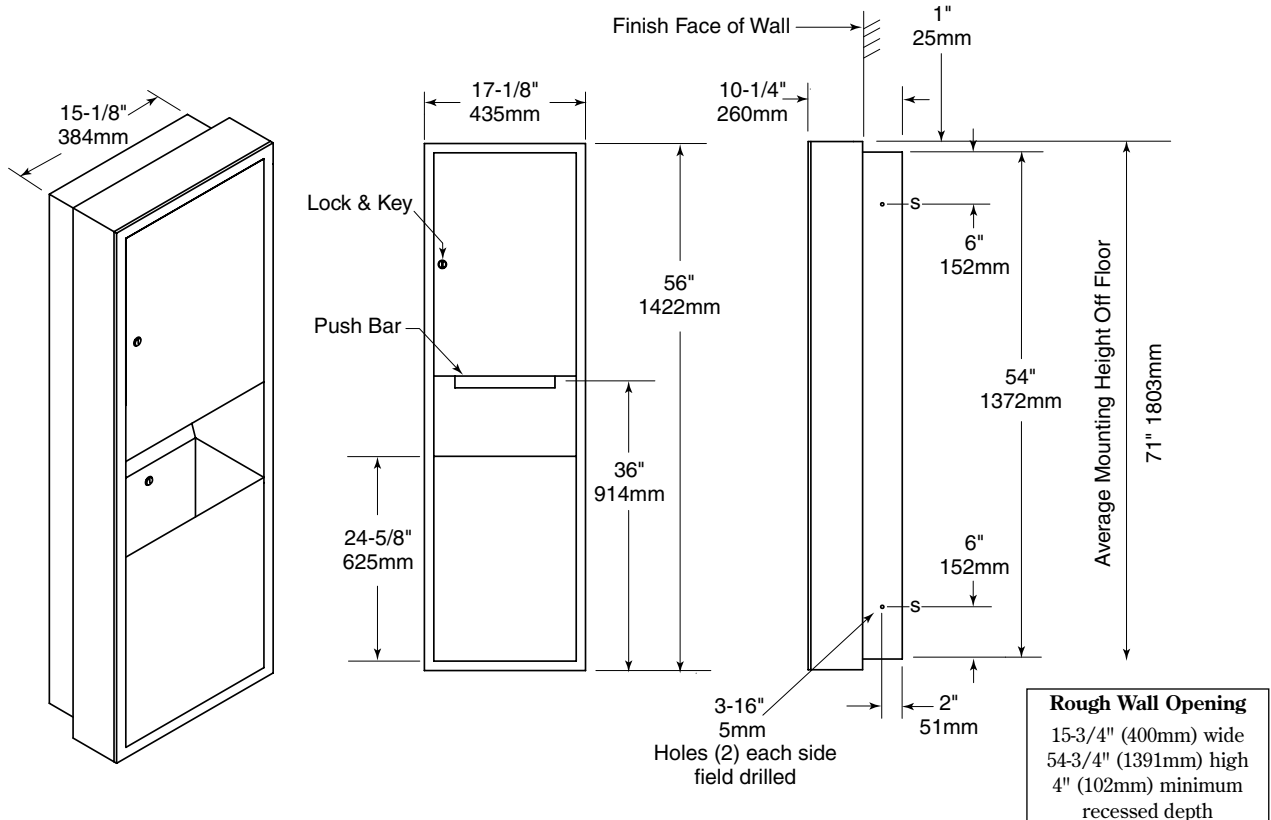


Date:

Project Name:



**CONSTRUCTION:**

Unit fabricated of type 304 stainless steel with exposed surfaces having a satin-finish. One piece seamless 22-gauge (0.8mm) flange provided with 1/4" (6mm) return for rigidity. EXTRA HEAVY 18-gauge (1.2mm) door, warp free, hung on continuous piano hinge, and fitted with tumbler lock; keyed like other Gamco washroom accessories. Waste receptacle is 22-gauge (0.8mm) and secured to cabinet with tumbler lock and is removable for servicing. All welded construction. Interior shelf for stocking supplies.

**CAPACITY:**

Accepts universal roll paper: 7-3/4" to 8" (197 to 203mm) wide up to 8" (203mm) in diameter. 1-1/2" to 2" (38 to 51mm) core. Waste capacity is 16-gallons (60.5-L).

**OVERALL DIMENSIONS:**

17-1/8" W x 56" H x 10-1/4" D (435 x 1422 x 260mm)

**INFRARED SPECIFICATIONS:**

- Towels are dispensed automatically when hands are placed below dispenser
- Large detection zone for easy and reliable operation
- Towels are not exposed at all
- Smooth and quiet delivery
- Easy to load paper
- Operates on 4 each "D" size alkaline batteries
- Battery life can exceed 36,000 hand dries
- Optional electrical hard wire kit is available
- Stub roll transfer system to eliminate paper waste
- Individually adjustable modes for paper saving, time delay and sheet length

**Semi-Recessed Automatic Roll Towel Dispenser and Waste Receptacle shall be Model TW-10RPT-F of GAMCO Commercial Restroom Accessories, A Division of Bobrick, One Gamco Place, Durant, OK**