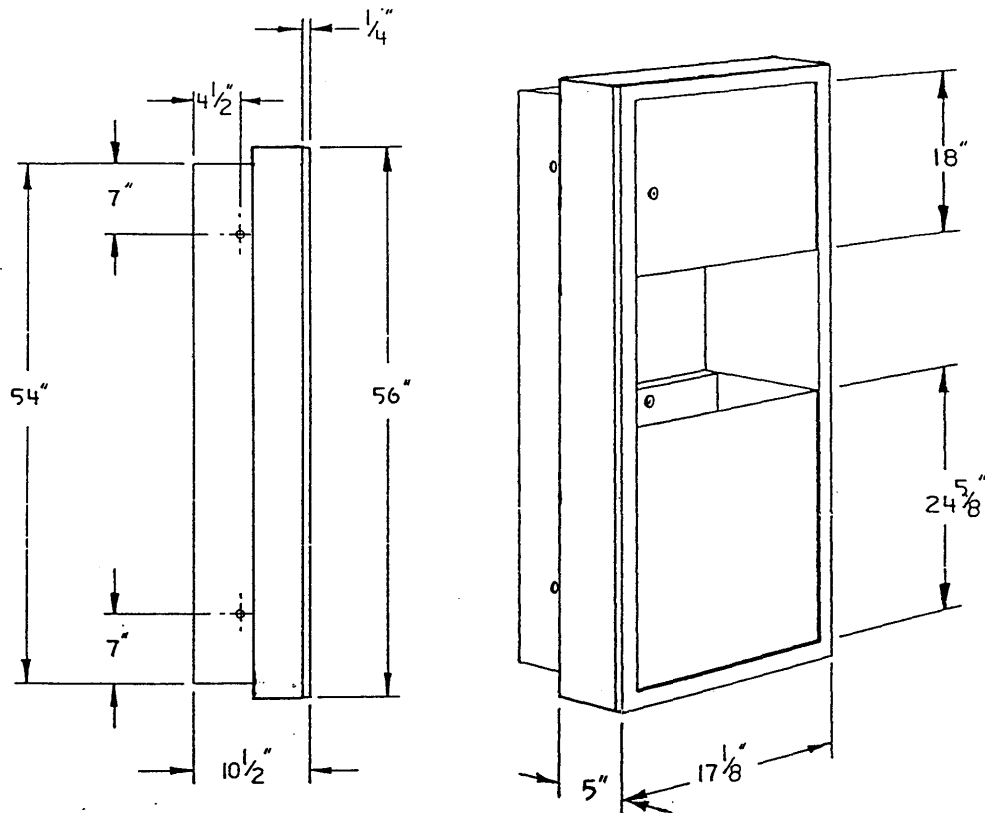




TW-10F Linen Cloth Towel Dispenser

Semi-Recessed

Towel Dispenser Mechanism Not Included



Unit fabricated of type 304 stainless steel with exposed surfaces satin finished. One piece seamless 22 gauge flange provided with $\frac{1}{4}$ " return for rigidity. Extra heavy 18 gauge door, warp free, hung on continuous stainless steel piano hinge, and fitted with tumbler lock. Waste receptacle is 22 gauge and secured to cabinet with tumbler lock and is removable for servicing. All welded construction. Towel cabinet designed for dispensing with a linen cloth dispenser (not included).

Overall dimensions; 17- $\frac{1}{8}$ "W x 56"H x 10 $\frac{1}{2}$ "D
Wall Opening: with 5" collar for semi-recessing-15- $\frac{3}{4}$ "Wx54- $\frac{3}{4}$ "Hx5"D

Manufacturer reserves the right to make changes in design or dimensions without formal notice.