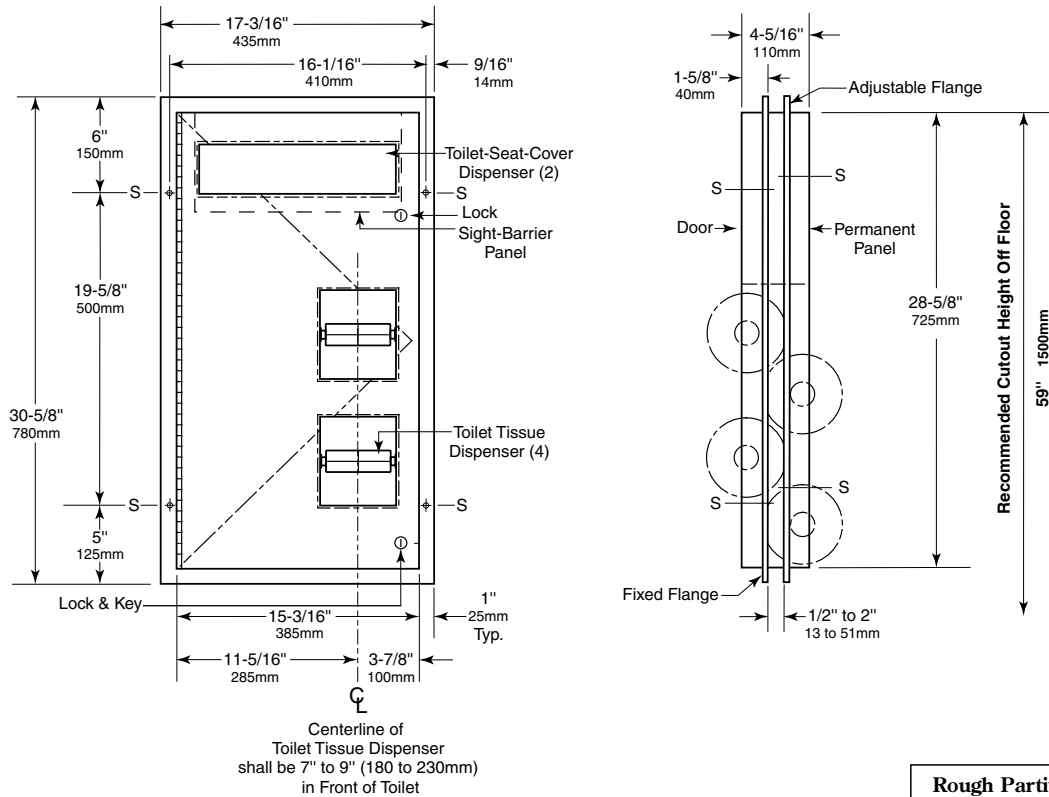


Specify Model Required: TSC-6P
 TSC-6PH One side flush against partition for grab bar.



Rough Partition Cutout
15-1/2" (395mm) wide
28-7/8" (735mm) high
1/2" to 2" (13 to 51mm)
partition thickness

MATERIALS:

Cabinet — 18-8 S, type-304, heavy-gauge stainless steel. All-welded construction. Exposed surfaces have satin finish. Equipped with a plastic sight-barrier panel for toilet-seat-cover dispenser.

Flanges (2) — 18-8 S, type-304, 22-gauge (0.8mm) stainless steel with satin finish. One-piece, seamless construction with 1/4" (6mm) return for rigidity.

Door & Permanent Panel — 18-8 S, type-304, 18-gauge (1.2mm) stainless steel with satin finish. One-piece, seamless construction. Door is secured to cabinet with a full-length stainless steel piano-hinge and equipped with two tumbler locks keyed like other Gamco restroom accessories.

Toilet Tissue Dispensers (4) — .100" (2.5mm) thick ABS. Equipped with four theft-resistant, heavy-duty, one-piece, molded ABS spindles.

OPERATION:

Toilet-seat-cover dispenser is serviced from one side and holds 1000 single- or half-fold paper covers. Door unlocks with key provided and swings open for filling. Spindles may be removed from cabinet only when door is open. Receptacle is removable from one side of unit for servicing. Unit holds four standard-core toilet tissue rolls up to 5-1/4" (135mm) diameter (1800 sheets), two for each compartment.

continued . . .

INSTALLATION:

Mount unit in toilet partition 1/2" to 2" (13 x 51mm) thick, centered through a cutout specially ordered from partition manufacturer or field cut. Dimensions of cutout are to be 15-1/2" wide x 28-7/8" high (395 x 735mm). For factory-made cutouts, location and size details must be furnished to partition manufacturer. For hollow-core metal partitions, provide solid framing into which mounting screws can be secured.

For installation with sheet-metal screws furnished, place unit firmly in partition cutout, making certain entire perimeter of fixed flange is flush with and tight against partition surface. Secure to partition with sheet-metal screws through four mounting holes at points indicated by an S. On other side of partition, position adjustable flange (which serves as an escutcheon) so mounting holes are not inline with mounting holes in fixed flange. Make certain entire perimeter of adjustable flange is flush with and tight against partition surface before securing with sheet-metal screws furnished.

For through-bolting method of installation, make sure mounting holes in adjustable flange are inline with holes in fixed flange. Using adjustable flange as template to mark locations, drill 7/32" or 1/4" (5.5 or 6.4mm) holes through partition. Provide four binder posts and #6 (3.5mm) flat-head screws to secure unit and its adjustable flange.

SPECIFICATION:

Partition-mounted toilet seat-cover and toilet tissue dispenser shall be type-304 stainless steel with all-welded construction; exposed surfaces shall have satin finish. Toilet tissue dispenser shall be ABS plastic. Flanges shall be one-piece, seamless construction with 1/4" (6mm) return for rigidity. Unit shall mount in partition and serve two toilet compartments. Door shall be one-piece, seamless construction; secured to cabinet with a full-length stainless steel piano-hinge; and equipped with two tumbler locks keyed like other Gamco restroom accessories. Toilet seat-cover dispenser shall be serviced from one side only. Toilet seat-cover dispenser shall be equipped with a plastic sight-barrier panel and hold 1000 paper covers. Unit shall be equipped with four theft-resistant, heavy-duty ABS toilet tissue spindles that hold standard-core rolls up to 5-1/4" (135mm) diameter (1800 sheets). Spindles shall be removable from cabinet only when door is open

Partition-Mounted Seat-Cover and Toilet Tissue Dispenser shall be _____ (insert model number) of Gamco Commercial Restroom Accessories, A Division of Bobrick, One Gamco Place, Durant, OK