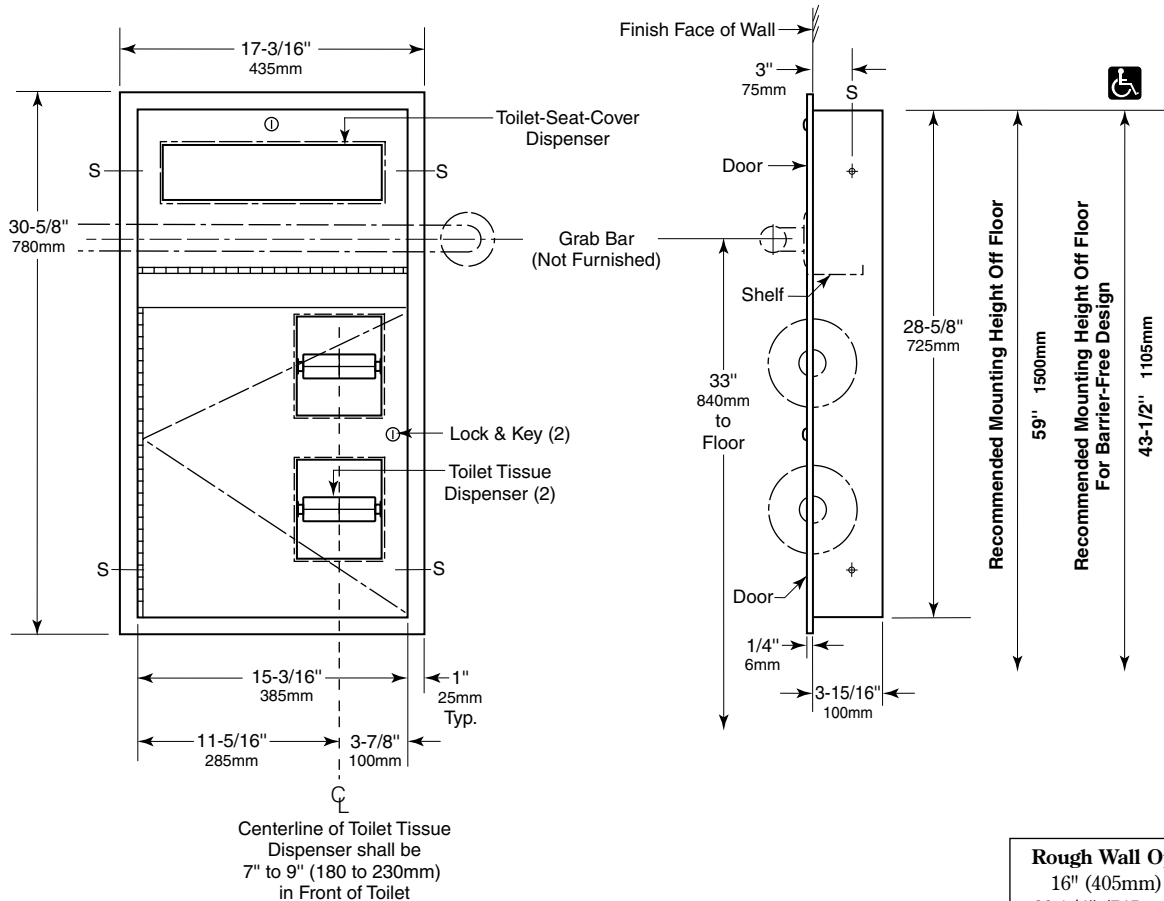


Specify Model Required: TSC-6FS with 4" skirt for surface-mounting.



Rough Wall Opening
16" (405mm) wide
29-1/4" (745mm) high
4" (102mm) minimum
recessed depth

MATERIALS:

Cabinet — 18-8 S, type-304, heavy-gauge stainless steel. All-welded construction. Exposed surfaces have satin finish.

Flange — 18-8 S, type-304, 22-gauge (0.8mm) stainless steel with satin finish. One-piece, seamless construction with 1/4" (6mm) return for rigidity.

Doors — 18-8 S, type-304, 18-gauge (1.2mm) stainless steel with satin finish. One-piece, seamless construction. Secured to cabinet with a full-length stainless steel piano-hinge. Equipped with a tumbler lock keyed like other Gamco restroom accessories.

Toilet Tissue Dispensers (2) — .100" (2.5mm) thick ABS. Equipped with two theft-resistant, heavy-duty, one-piece, molded ABS spindles.

OPERATION:

Doors unlock with key provided and swing open for filling. Toilet-seat-cover dispenser holds 500 single- or half-fold paper covers. Spindles may be removed from cabinet when door is open. Unit holds two standard-core toilet tissue rolls up to 5-1/4" (135mm) diameter (1800 sheets).

continued . . .

INSTALLATION:

Provide framed rough wall opening 16" wide x 29-1/4" high (405 x 745mm). Minimum recessed depth required from finish face of wall is 4" (102mm). Top of wall opening should be 43-1/2" (1105mm) from finish face of floor to allow placement of horizontal grab bar at 33" (840mm) height across front of unit. Allow clearance for construction features that may protrude into rough wall opening from opposite wall. Coordinate with mechanical engineer to avoid pipes, vents, and conduits in wall. If unit projects above top of wainscot, provide aluminum channel or other filler to eliminate gap between flange and finish face of wall. Mount unit in wall opening with shims between framing and cabinet at all points indicated by an S, then secure unit with #8 x 1-1/4" (4.2 x 32mm) sheet-metal screws (not furnished).

SPECIFICATION:

Recessed toilet-seat-cover and toilet tissue dispenser shall be type-304 stainless steel with all-welded construction; exposed surfaces shall have satin finish. Toilet tissue dispenser shall be ABS plastic. Flange shall be one-piece, seamless construction with 1/4" (6mm) return for rigidity. Unit shall mount flush against side wall of barrier-free toilet compartment to allow clearance for grab bar across front of unit. Doors shall be one-piece, seamless construction; secured to cabinet with a full-length stainless steel piano-hinge; and equipped with a tumbler lock keyed like other Gamco restroom accessories. Toilet-seat-cover dispenser holds 500 paper covers. Unit shall be equipped with two theft-resistant, heavy-duty ABS toilet tissue spindles that hold standard-core rolls up to 5-1/4" (135mm) diameter (1800 sheets). Spindles shall be removable when door is open.

Recessed Toilet Seat-Cover and Toilet Tissue Dispenser shall be _____ (insert model number) of Gamco Commercial Restroom Accessories, A Division of Bobrick, One Gamco Place, Durant, OK