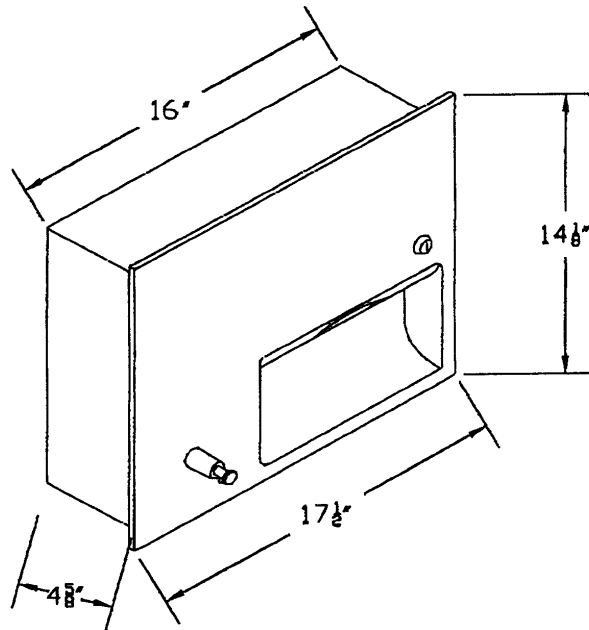




TD-8 Coverall Towel & Soap Dispenser



Unit fabricated of type 304 stainless steel with exposed surfaces satin finished one piece seamless door construction. EXTRA HEAVY 18 gauge with 5/8" return for rigidity. door is mounted to cabinet with continuous stainless steel piano hinge and fitted with tumbler lock. Soap dispenser capacity is 1 quart, filled by opening door. Non-corroding valve dispenses viscous lotion soap, synthetic detergents and antiseptic solutions. All welded construction.

Capacity:	175 C-fold or 200 multi-fold towels
Overall Dimensions:	17 1/2"W x 14 1/8"H x 4 5/8"D
Wall Opening:	16 1/2"W x 13 1/4"H x 4" min. depth
Mounting Height:	52" to top of unit, 44" for handicapped

Manufacturer reserves the right to make changes in design or dimensions without formal notice.