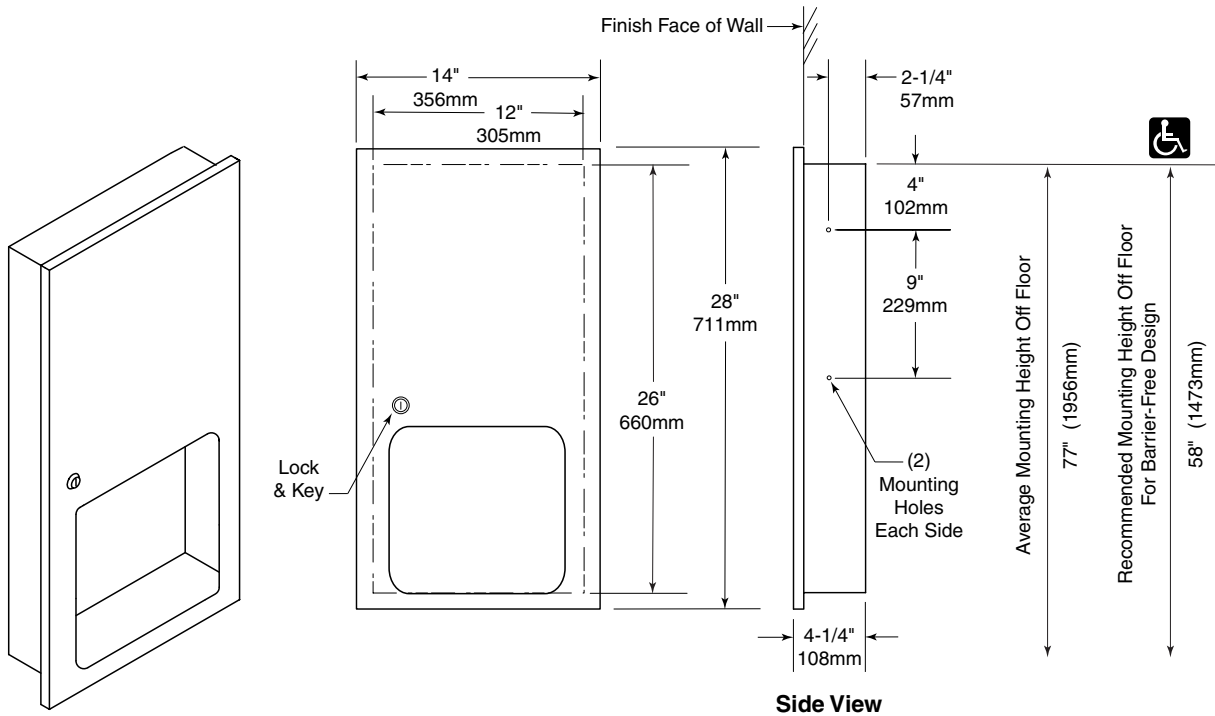


Date:

Project Name:



Rough Wall Opening
12-1/2" (318mm) wide
26-1/2" (673mm) high
3-3/4" (95mm) minimum
recessed depth

CONSTRUCTION:

Unit fabricated of type 304 stainless steel with exposed surfaces having a satin-finish. One piece seamless door construction. EXTRA HEAVY 18-gauge (1.25mm) with 5/8" (16mm) return for rigidity. Door is mounted to cabinet with continuous stainless steel piano hinge and is fitted with keyed alike tumbler lock to match all other GAMCO accessories. All welded construction.

CAPACITY:

600 C-fold or 800 multi-fold towels.

OVERALL DIMENSIONS:

14" W x 28" H x 4-1/4" D (356 x 711 x 108mm)

"COVERALL" Towel Dispenser shall be Model TD-7 GAMCO Commercial Restroom Accessories, A Division of Bobrick, One Gamco Place, Durant, OK