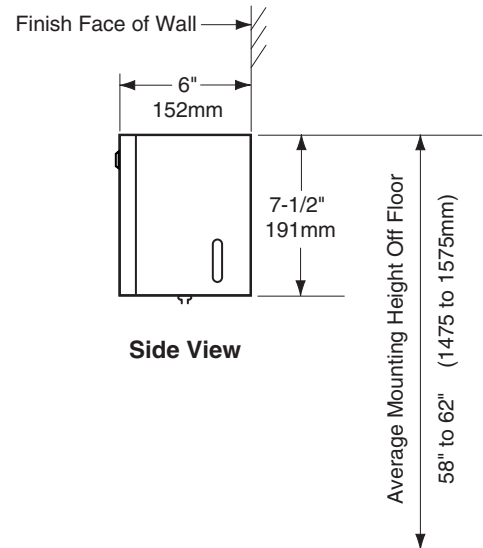
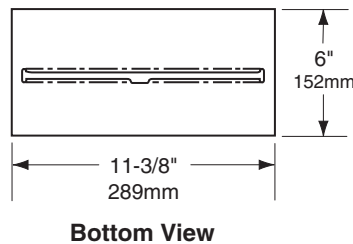
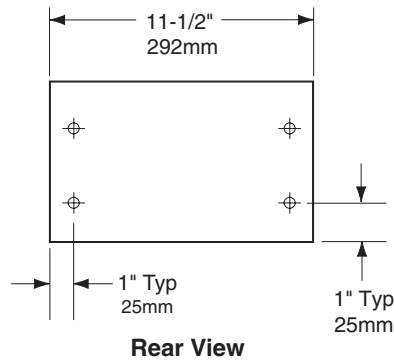
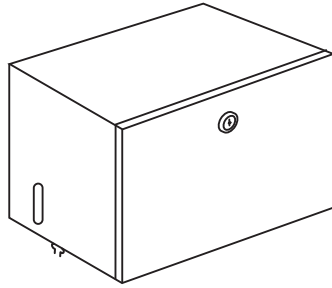


Date:

Project Name:



CONSTRUCTION:

Fabricated of 22-gauge (0.8mm) type 304 stainless steel. All welded construction with exposed surfaces having a #4 satin-finish. Door is hinged and fitted with tumbler lock. Refill indicator slots on side of unit.

CAPACITY:

400 single-fold towels.

INSTALLATION:

Mount unit on wall with two (2) #10 x 1-1/4" (4.8 x 32mm) sheet-metal screws. For plaster or dry wall construction, provide concealed backing to comply with local building codes, then secure unit with sheet-metal screws. For other wall surfaces, provide fiber plugs or expansion shields for use with sheet-metal screws, or provide 1/8" (3mm) toggle bolts or expansion bolts.

OVERALL DIMENSIONS:

11-1/2" W x 7-1/2" H x 6" D (292 x 191 x 152mm)

ADA GUIDE:

Access to paper towels should be 15" to 48" (381 to 1219mm) above the finish floor to allow forward and side reach by people in wheelchairs.

Surface-Mounted Single Fold Towel Dispenser shall be Model TD-5 of GAMCO Commercial Restroom Accessories, A Division of Bobrick, One Gamco Place, Durant, OK 74701-1910, Tel: 1-800-451-5766, Web: www.GAMCOUSA.com