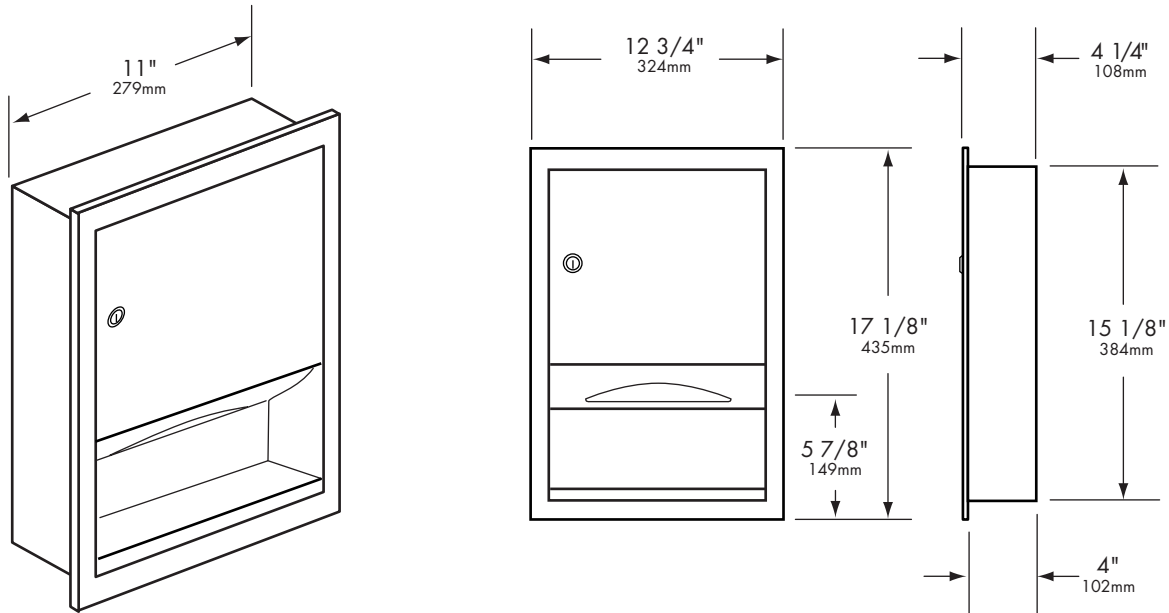


TD-4 Towel Dispenser Recessed



Construction:

Unit fabricated of type 304 stainless steel with exposed surfaces #4 satin finished. Door mounted on full length stainless steel piano hinge and provided with tumbler lock. All welded construction. 350 C-fold towels or 475 multi-fold towels capacity.

Installation:

Provide framed wall opening. Recessed depth required from finish face of wall is 4" (102mm). Check plans and coordinate with mechanical engineer to avoid protrusion from opposite wall, pipes, conduits, electrical wiring etc. If installing in plaster wall recommend grounding. If installing where unit projects above top of wainscot, provide filler to prevent gap from finished wall and flange of unit. Installing in block walls use metal expansion shields.

Overall Dimensions:

12-3/4" W x 17-1/8" H x 4-1/4" D
324mm x 435mm x 108mm

Wall Opening:

11-1/4" W x 15-5/8" H x 4" min D
286mm x 397mm x 102mm

Mounting:

66" (1,676mm) to top of unit, 50" (1,270mm) for handicapped

Options:

TD-4F Same as TD-4 but with 2" (51mm) skirt for semi recessing
TD-4FS Same as TD-4 but with 4" (102mm) skirt for surface mounting

ADA Guide:

Access to paper towels should be 15" (381mm) to 48" (1,219mm) above the finish floor to allow forward and side reach by people in wheelchairs. Hinged panels covering waste receptacle openings should not require more than 5 pounds of force to open. Units should not project more than 4" (102mm) from the wall. Operable with one hand and without tight grasping, pinching, or twisting of the wrist. Activation of lever should not require more than 5 pounds of force when unit is completely filled.

Manufacturer reserves the right to make changes in design or dimensions without formal notice.