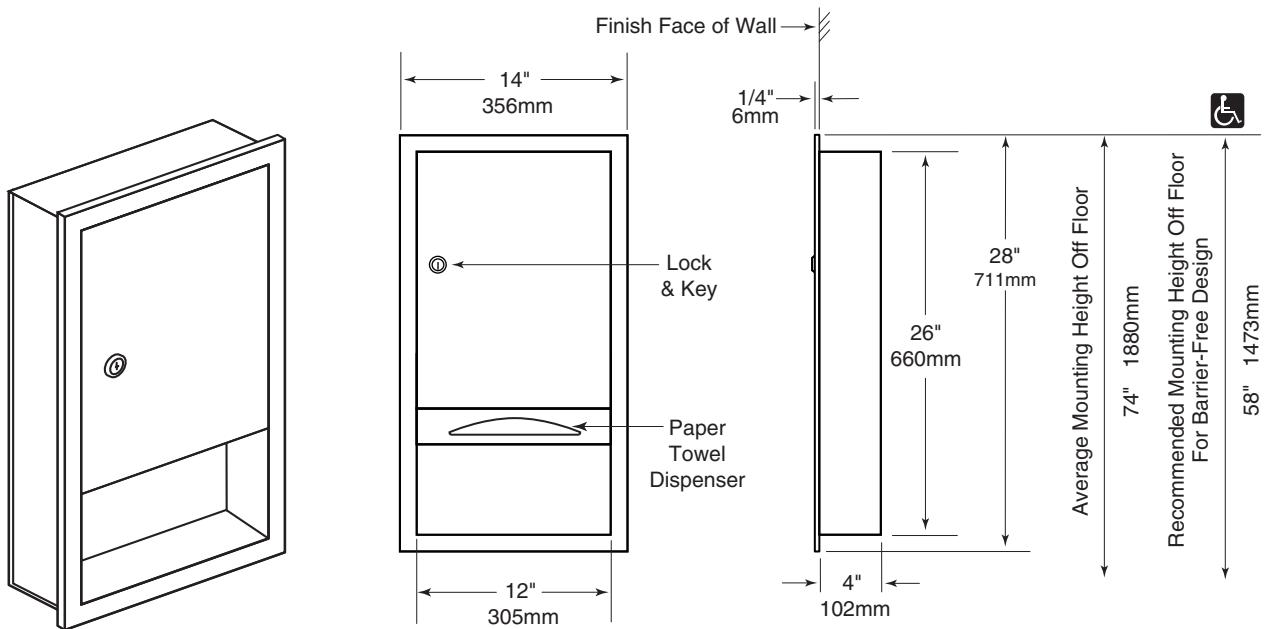


Date:

Project Name:

- TD-3F** with 2" (51mm) skirt for semi-recessing
- TD-3FS** with 4" (102mm) skirt for surface-mounting
- TD-3-6** with 6" (152mm) recess and 1100 single-fold towel capacity
- TD-3-6F** with 2" (51mm) skirt for semi-recessing in a 4" (102mm) wall
- TD-3-6FS** with 6" (152mm) skirt for surface-mounting



Rough Wall Opening

12-1/2" (318mm) wide
 26-1/2" (673mm) high
 4" (102mm) minimum
 recessed depth

CONSTRUCTION:

Fabricated of type 304 heavy gauge stainless steel. All welded construction with exposed surface having a #4 satin-finish. One piece seamless flange provided with 1/4" (6mm) return for rigidity. EXTRA HEAVY 18-gauge (1.2mm) door mounted on full length stainless steel piano hinge and provided with tumbler lock. All welded construction.

CAPACITY:

600 C-fold or 800 Multi-fold towels.

Recessed Towel Dispenser shall be Model _____ (insert model number) of GAMCO Commercial Restroom Accessories, A Division of Bobrick, One Gamco Place, Durant, OK