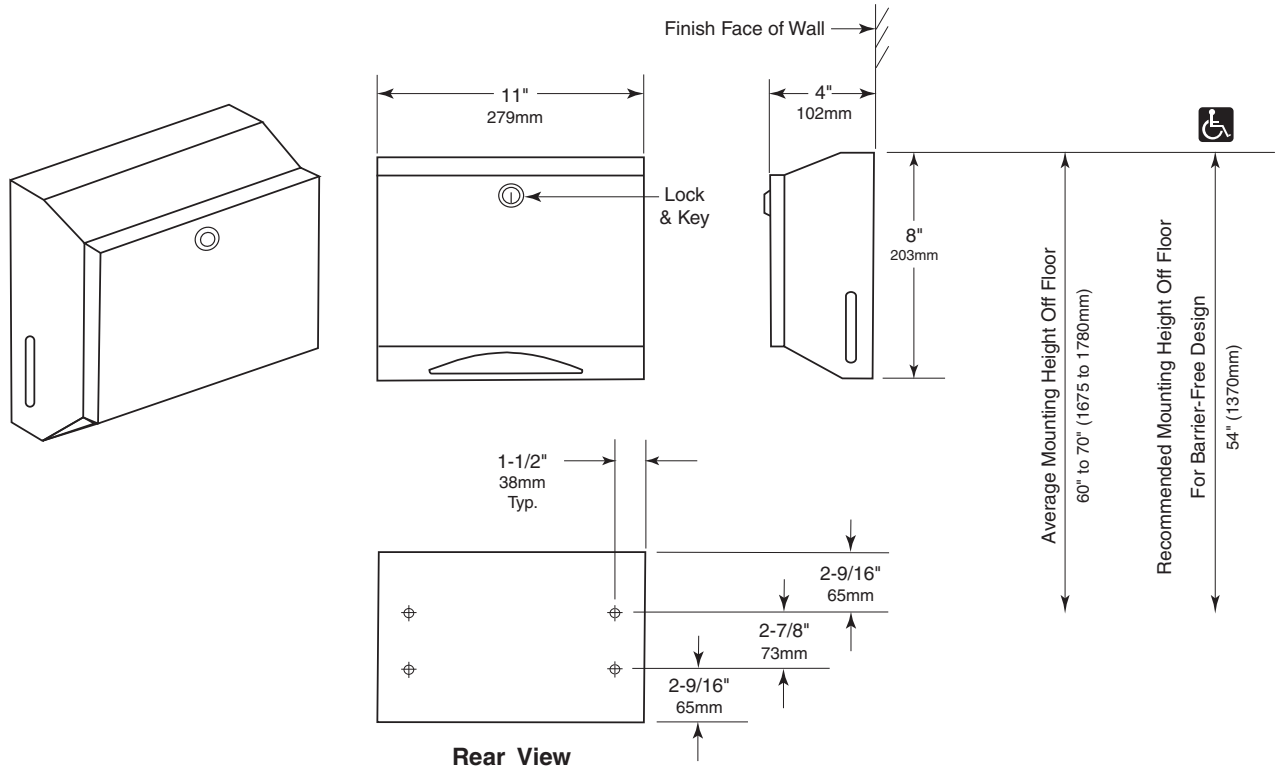


Date:

Project Name:

TD-2-8W with cold rolled steel construction and white electrostatic powder coat



CONSTRUCTION:

Fabricated of 18-8 type 304 heavy gauge stainless steel. All welded construction with exposed surfaces having a #4 satin-finish. Door is hinged for easy refilling and fitted with tumbler lock. Keyed like all other GAMCO accessories. Refill slot on side of unit.

INSTALLATION:

Mount unit on wall with four (4) #10 x 1-1/4" (4.8 x 32mm) Phillips-head screws furnished with unit.

CAPACITY:

275 C-fold or 350 multi-fold towels.

OVERALL DIMENSIONS:

11" W x 8" H x 4" D (279 x 203 x 102mm)

ADA GUIDE:

Access to paper towels should be 15" to 48" (381 to 1219mm) above the finish floor to allow forward and side reach by people in wheelchairs. Units should not project more than 4" (102mm) from the wall.

NOTES:

Wood blocking is preferable behind all wall surfaces. If wood blocking is not available, the following fasteners are suggested:

- Tile/Masonry - Plastic or lead anchors
- Plaster/Drywall - Toggle bolts

Order Bobrick Part No. 262-130 TowelMate® available as an optional accessory. TowelMate accessory allows for paper towels to dispense one at a time without bulging, sagging, or falling through the towel tray opening.

Surface-Mounted Towel Dispenser shall be Model _____ (insert model number) of GAMCO Commercial Restroom Accessories, A Division of Bobrick, One Gamco Place, Durant, OK