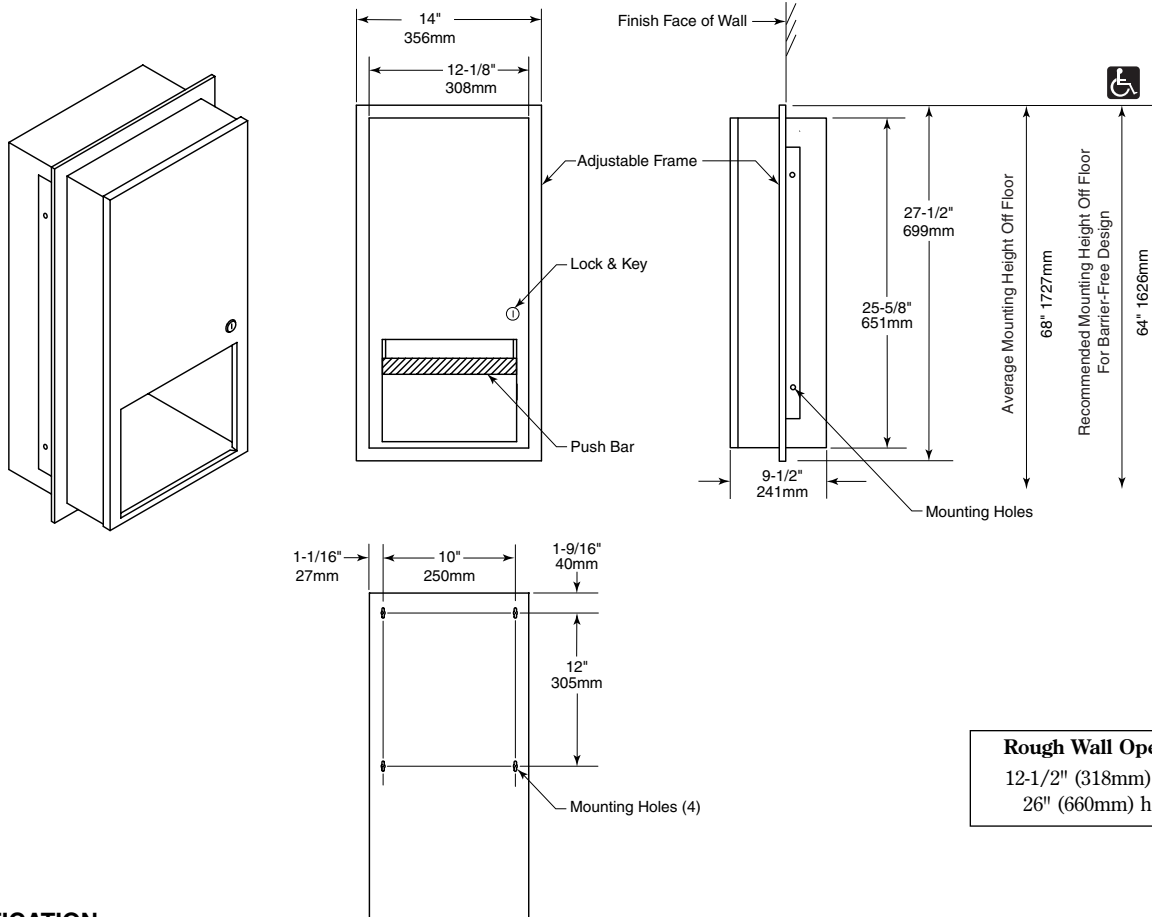


Date:

Project Name:

To surface mount unit, remove frame



Rough Wall Opening
12-1/2" (318mm) wide
26" (660mm) high

SPECIFICATION:

Unit fabricated of type 304 stainless steel with exposed surfaces having a satin-finish. Door fabricated of EXTRA HEAVY 18-gauge (1.2mm) and is mounted to cabinet with continuous stainless steel piano hinge for easy refilling and fitted with tumbler lock. Keyed like all other GAMCO accessories. All welded construction.

CAPACITY:

Accepts universal roll paper 7-3/4" to 8" (197 to 203mm) wide up to up to 8" (203mm) in diameter.

OVERALL DIMENSIONS:

12-1/8" W x 25-5/8" H x 9-3/4" D (308 x 651 x 248mm) without frame

INFRARED DISPENSER SPECIFICATIONS:

- Towels are dispensed automatically when hands are placed below dispenser
- Large detection zone for easy and reliable operation
- Towels are not exposed at all
- Smooth and quiet delivery of 12" sheet
- Easy to roll paper
- Operates on four (4) each "D" size alkaline batteries
- Battery life can exceed 36,000 hand dries

Semi-Recessed Automatic Touchless Roll Towel Dispenser shall be Model _____ (insert model number) of GAMCO Commercial Restroom Accessories, A Division of Bobrick, One Gamco Place, Durant, OK