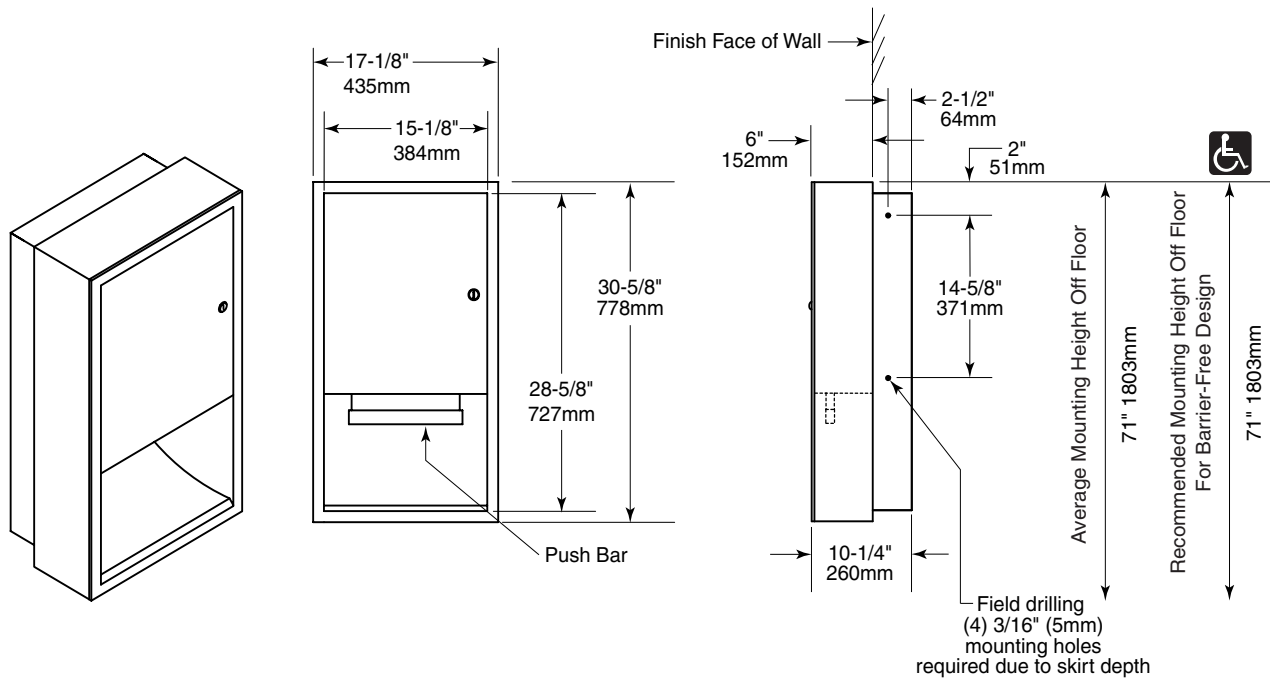


Date:

Project Name:



Rough Wall Opening

15-5/8" (384mm) Wide
29-1/8" (740mm) High
4" (51mm) minimum
recessed depth

CONSTRUCTION:

Unit fabricated of type 304 stainless steel with exposed surfaces having a satin-finish. One piece seamless flange with 1/4" (6mm) return for rigidity. EXTRA HEAVY 18-gauge (1.2mm) door mounted to cabinet with full length stainless steel piano hinge and keyed alike to match all other GAMCO accessories. All welded construction.

CAPACITY:

Accepts universal roll paper 7-3/4" to 8" (197 to 203mm) wide and up to 8" (203mm) in diameter.

OVERALL DIMENSIONS:

17-1/8" W x 30-5/8" H x 10 1/4" D (435 x 778 x 260mm)

Semi-Recessed Towel Dispenser Push Bar Roll Towel Dispenser shall be Model TD-10RP-F of GAMCO Commercial Restroom Accessories, A Division of Bobrick, One Gamco Place, Durant, OK