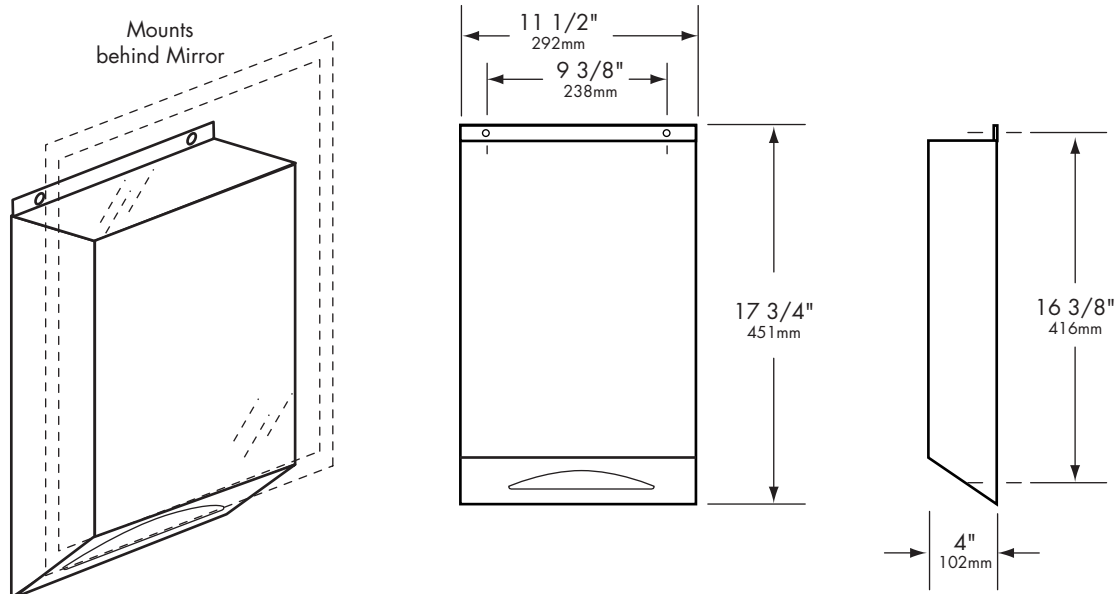




TD-1 Behind Mirror Towel Dispenser



Construction:

Unit is fabricated of 22 gauge (.8mm) 18-8 type 304 stainless steel with exposed surfaces #4 satin finished. Door mounted on a full length stainless steel piano hinge. All welded construction.

Capacity:

500 C-fold towel or 700 multi-fold towels

Installation:

Provide framed wall opening. Recessed depth required from finish face of wall is 4" (102mm). Check plans and coordinate with mechanical engineer to avoid protrusion from opposite wall, pipes, conduits, electrical wiring etc. If installing in plaster wall recommend grounding. If installing where unit projects above top of wainscot, provide filler to prevent gap from finished wall and flange of unit. Installing in block walls use metal expansion shields. 1/8" (3mm) gap recommended between units for door clearance.

Overall Dimensions:

11-1/2" (292mm)W x 17-3/4" (451mm)H x 4" (102mm)D

Mounting:

Mounts behind mirrors, tile and plaster walls

ADA Guide:

Access to paper towels should be 15" (381mm) to 48" (1,219mm) above the finish floor to allow forward and side reach by people in wheelchairs. Hinged panels covering waste receptacle openings should not require more than 5 pounds of force to open. Units should not project more than 4" (102mm) from the wall. Operable with one hand and without tight grasping, pinching, or twisting of the wrist. Activation of lever should not require more than 5 pounds of force when unit is completely filled.

Manufacturer reserves the right to make changes in design or dimensions without formal notice.