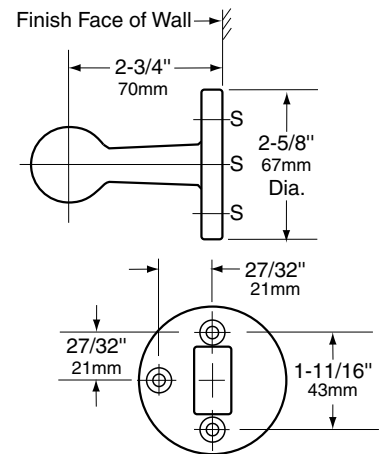
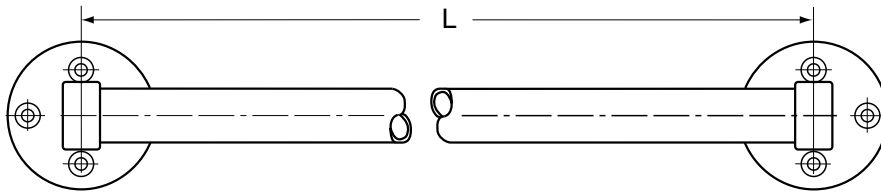


Date:

Project Name:

- TB-1** for 12" (305mm) towel bar
- TB-2** for 18" (457mm) towel bar
- TB-3** for 24" (609mm) towel bar
- TB-4** for 30" (762mm) towel bar



CONSTRUCTION:

Bar fabricated of 18-gauge (1.2mm) type 304 stainless tubing with satin-finish and having 1" (25mm) diameter. Heavy satin chrome solid brass posts provided with mounting.

Towel Bar shall be Model _____ (insert model number) of Gamco Commercial Restroom Accessories, A Division of Bobrick, One Gamco Place, Durant, OK