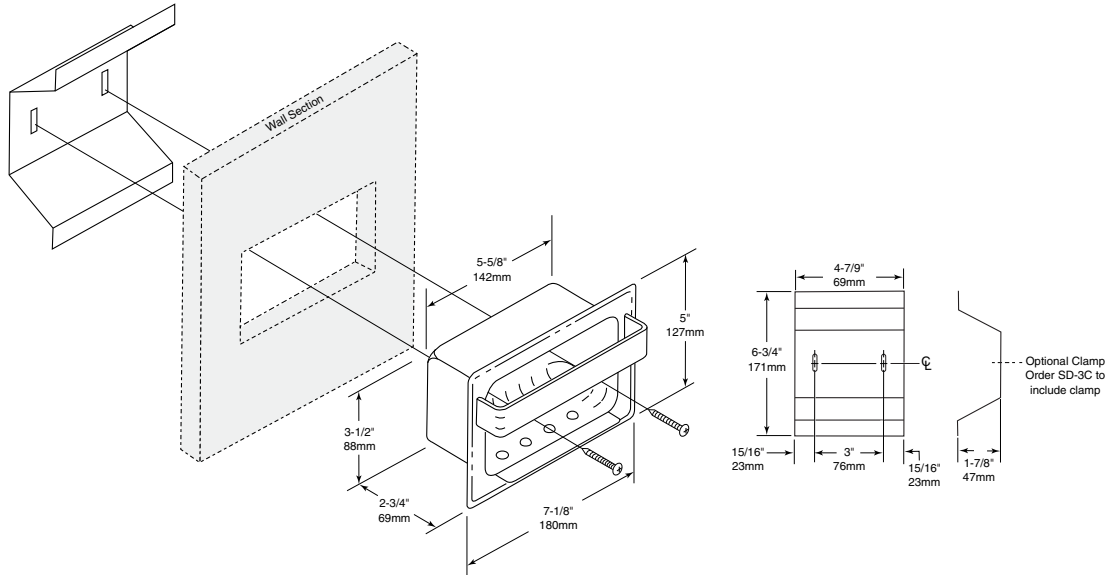


Date:

Project Name:



**Rough Wall Opening:**  
 6" (152mm) Wide  
 3-3/4" (95mm) High  
 2-3/4" (70mm) minimum  
 recessed depth

**CONSTRUCTION:**

One piece, deep drawn, 20-gauge (1mm) stainless steel. Raised dimples with bar.

**OVERALL DIMENSIONS:**

7-1/8" W x 5" H (180 x 127mm) bar projects 1-3/8" (35mm) from wall.

**Recessed Soap Dish with Bar and Clamp shall be Model SD-3C of GAMCO Commercial Restroom Accessories, A Division of Bobrick, One Gamco Place, Durant, OK 74701-1910, Tel: 1-800-451-5766, Web: www.GAMCOUSA.com**