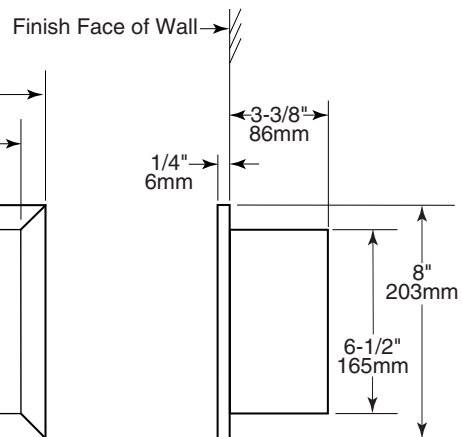
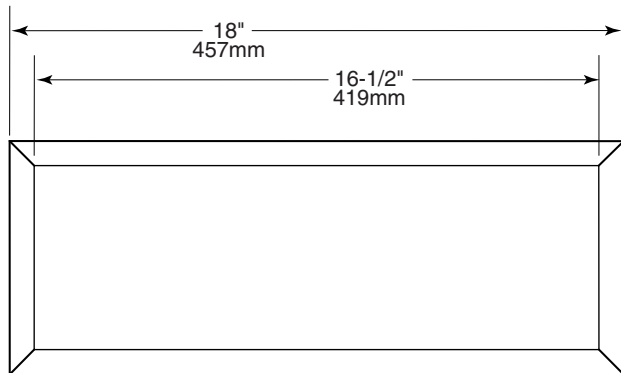
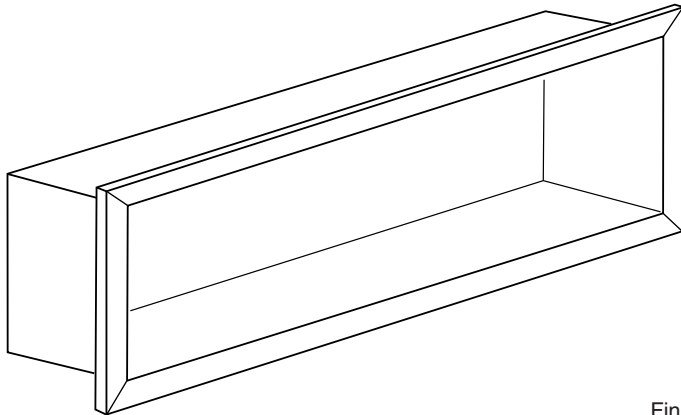


Date:

Project Name:



**Rough Wall Opening**  
 16-3/4" (425mm) wide  
 6-3/4" (203mm) high  
 3-1/2" (89mm) minimum  
 recessed depth

**CONSTRUCTION:**

Shelf fabricated of 22-gauge (0.8mm) type 304 stainless steel with exposed surfaces having a satin-finish. Spot weld construction.

**Recessed Stainless Steel Shelf shall be Model S-4 of Gamco Commercial Restroom Accessories, A Division of Bobrick, One Gamco Place, Durant, OK**