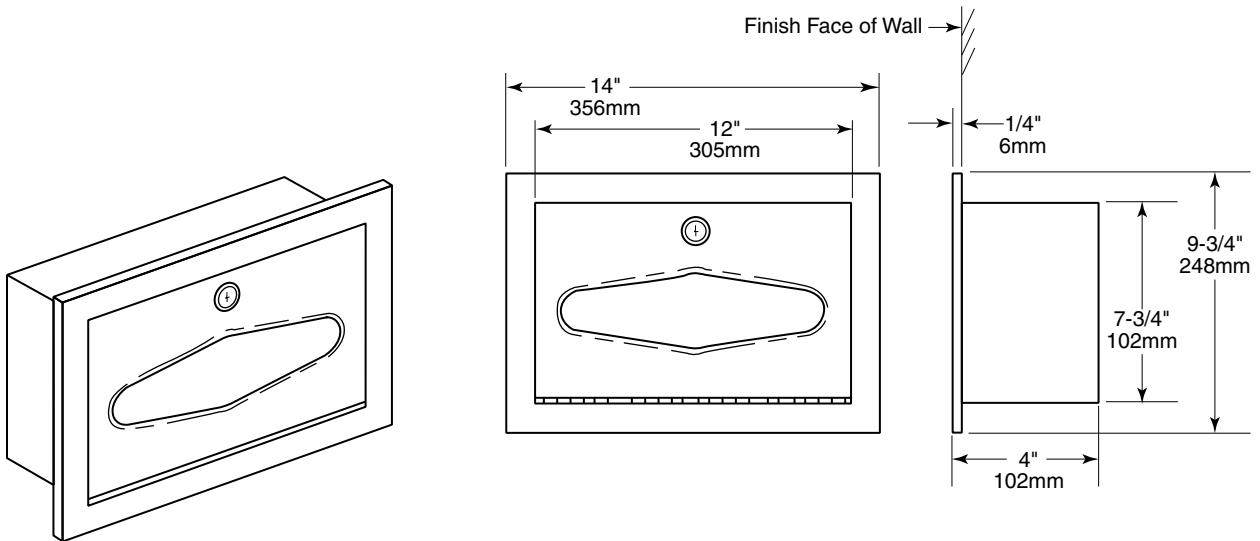


Date:

Project Name:

RGD-1
RGD-1FS

Recessed mounting
with 4" (102mm) skirt for surface-mounting



Rough Wall Opening

12-1/2" (318mm) wide
8-1/4" (210mm) high
4" (102mm) minimum
recessed depth

CONSTRUCTION:

Unit fabricated of type 304 stainless steel. All welded construction with exposed surfaces having a #4 satin-finish. One piece seamless 22-gauge (0.8mm) flange provided with 1/4" (6mm) return for rigidity. EXTRA HEAVY 20-gauge (1mm) door hung on continuous stainless piano hinge and fitted with tumbler lock.

CAPACITY:

Any standard size box of rubber gloves.

OVERALL DIMENSIONS:

14" W x 9-3/4" H x 4" D (356 x 248 x 102mm)

MOUNTING:

Mounting height shall be 66" (1.676mm) to top of unit.

Rubber Glove Dispenser shall be Model _____ (insert model number) of Gamco Commercial Restroom Accessories, A Division of Bobrick, One Gamco Place, Durant, OK