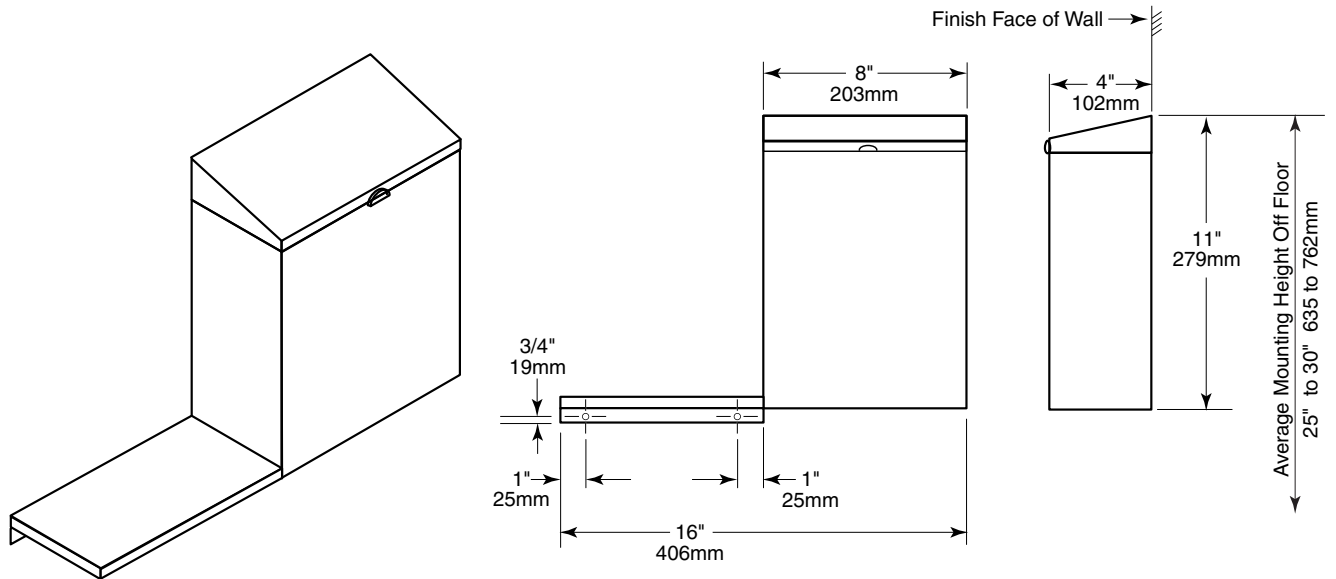


Date:

Project Name:

ND-2W with white sanitary napkin disposal with shelf



CONSTRUCTION:

Fabricated of 22-gauge (0.8mm) type 304 stainless steel with exposed surfaces having #4 satin-finish. Doors mounted on full length stainless steel piano-hinges. Top door provided with handle for easy opening. All welded construction. Shelf is fabricated of 18-gauge (1.2mm) 18-8 type 304 stainless steel with exposed surfaces having #4 satin-finish. Shelf can be mounted to either right or left hand side.

CAPACITY:

1-1/2-gallon (5.7-L)

OVERALL DIMENSIONS:

16" W x 11" H x 4" D (406 x 279 x 102mm)

Surface-Mounted Sanitary Napkin Disposal with Shelf shall be Model _____ (insert model number) of **GAMCO Commercial Restroom Accessories, A Division of Bobrick, One Gamco Place, Durant, OK**