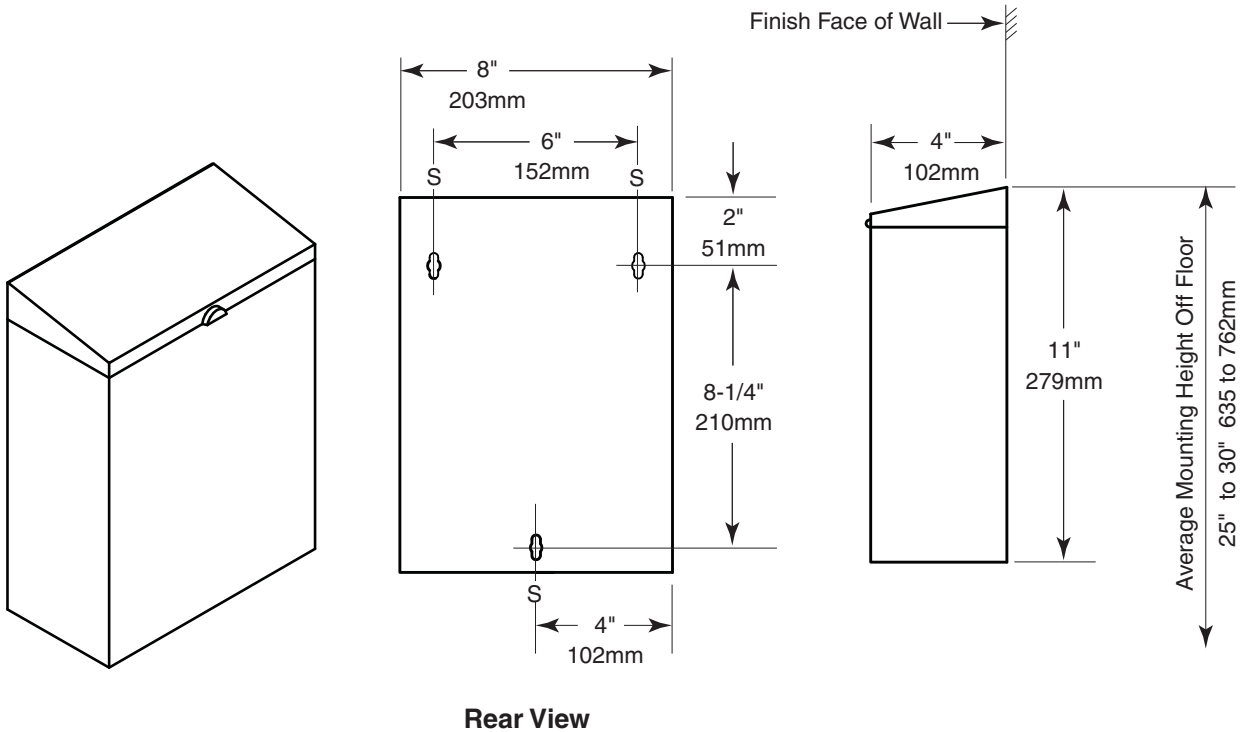


Date:

Project Name:

**ND-1W** with white sanitary napkin disposal



**CONSTRUCTION:**

Fabricated of 22-gauge (0.8mm) type 304 stainless steel with exposed surfaces having a #4 satin-finish. Door mounted on full length stainless piano-hinge and provided with handle for easy opening. 1.5-gallon (5.7-L) capacity. All welded construction.

**OVERALL DIMENSIONS:**

8" W x 11" H x 4" D (203 x 279 x 102mm)

**INSTALLATION:**

Mount unit with three (3) #10 x 1-1/2" (38mm) Phillips pan-head sheet-metal screws and plastic anchors provided by GAMCO. Backing is recommended behind all surfaces. If wood blocking is not available, the following optional fasteners are suggested:

- Tile/Masonry - Plastic or lead anchors
- Plaster/Drywall - Toggle bolts

Surface-Mounted Sanitary Napkin Disposal shall be \_\_\_\_\_ (insert model number) of GAMCO Commercial Restroom Accessories, A Division of Bobrick, One Gamco Place, Durant, OK