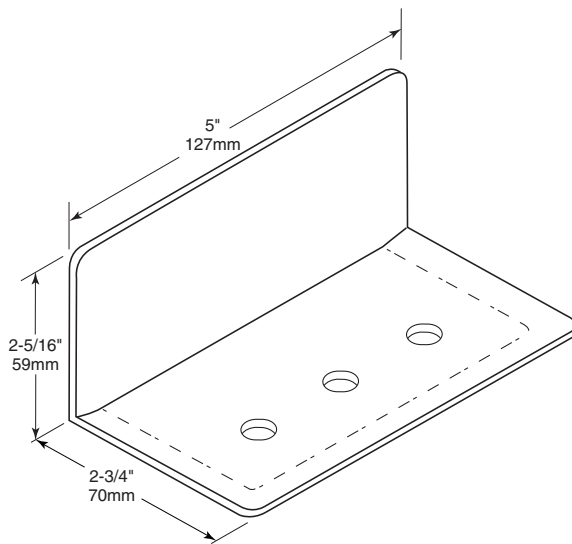


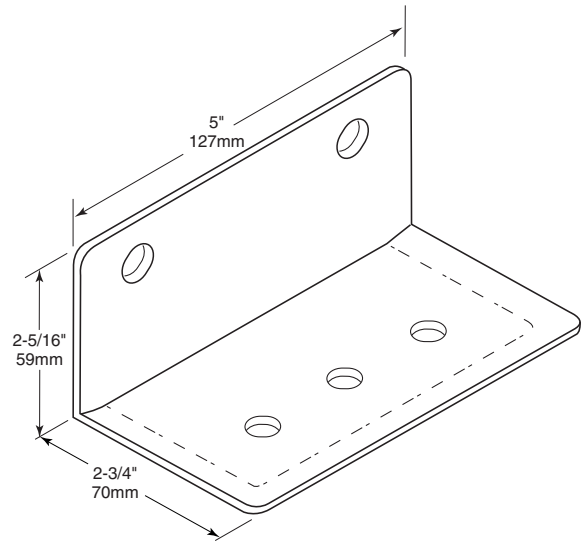
Date:

Project Name:

**MSA-4 Maximum Security Rear Mounted Soap Dish**



**MSA-5 Maximum Security Front Mounted Soap Dish**



**CONSTRUCTION:**

Fabricated of type 304 11-gauge (3mm) stainless steel, with three 3/8" (10mm) diameter drainage holes.

Surface-Mounted Maximum Security Soap Dish shall be Model \_\_\_\_\_ (insert model number) of Gamco Commercial Restroom Accessories, A Division of Bobrick, One Gamco Place, Durant, OK