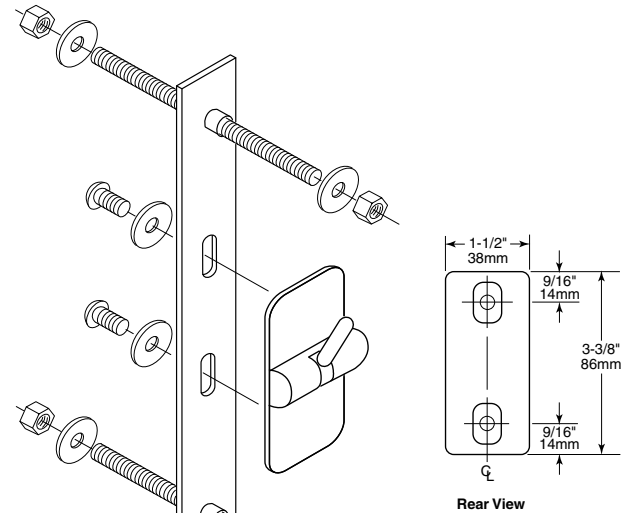
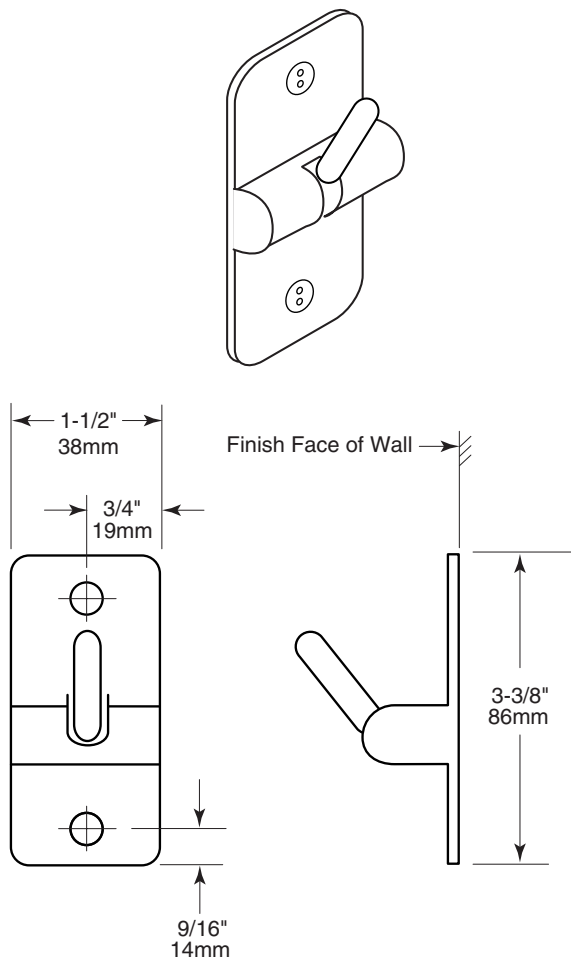


Date:

Project Name:

MSA-18 Maximum Security Front Mounted Clothes Hook

MSA-19 Maximum Security Rear Mounted Clothes Hook



CONSTRUCTION:

Clothes hook fabricated of 7-gauge (4.2mm) and 12-gauge (3mm) type 304 stainless steel with a #4 satin-finish. Hook snaps down for safety when loaded with approximately 8 pounds of pressure which is considered an excessive load.

OVERALL DIMENSIONS:

1-1/2" W x 3-3/8" H (38 x 86mm)

Maximum Security Clothes Hook shall be Model _____ (insert model number) of Gamco Commercial Restroom Accessories, A Division of Bobrick, One Gamco Place, Durant, OK