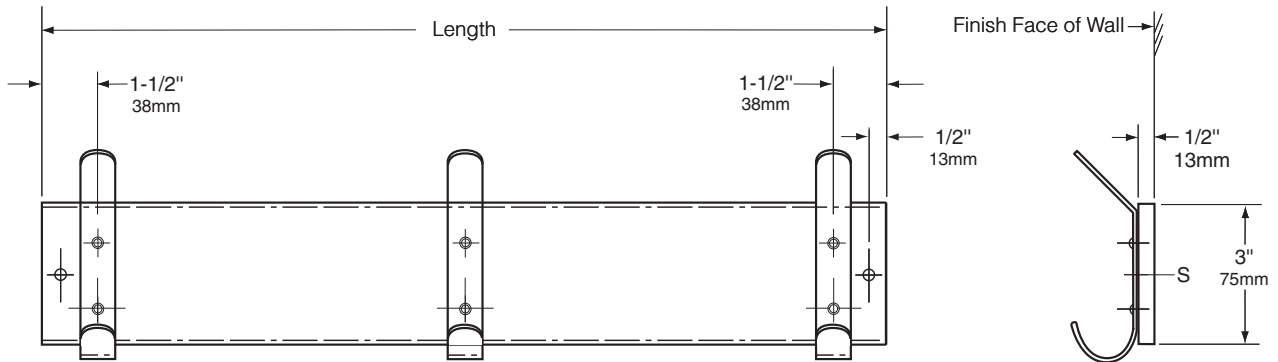
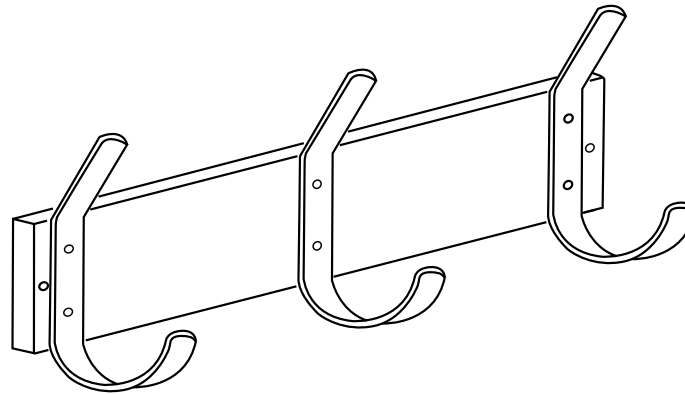


Date:

Project Name:

- HCS-1** for strip, 24" (610mm), 3 holders
- HCS-2** for strip, 36" (914mm), 4 holders
- HCS-3** for strip, 48" (1219mm), 5 holders
- HCS-4** for strip, 60" (1524mm), 6 holders



CONSTRUCTION:

Units fabricated of 20-gauge (0.9mm) type 304 stainless steel with exposed surfaces having a satin-finish. Hooks fabricated of 12-gauge (2.7mm) type 304 stainless steel and permanently attached to strip.

Hat and Coat Strip shall be Model _____ (insert model number) of Gamco Commercial Restroom Accessories, A Division of Bobrick, One Gamco Place, Durant, OK