

90° ANGLE GRAB BAR

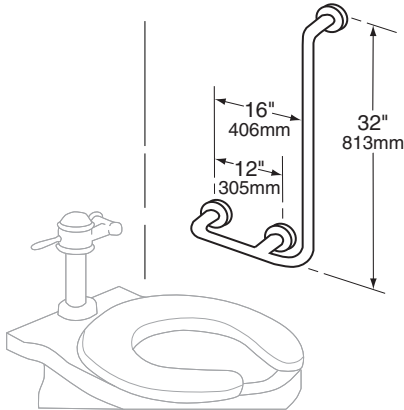
**-5L = LEFT
-5R = RIGHT
CONFIGURATION**

OPTIONS:

- C for concealed flange
 - S for snap flange
 - E for exposed flange
 - T for non-slip safety-textured grip
- Custom sizes available

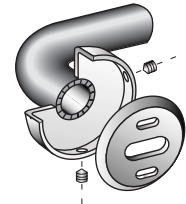
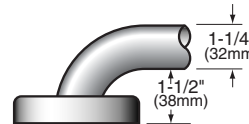
Date: _____

Project Name: _____



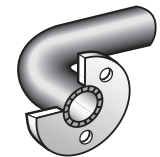
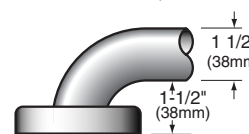
Right Configuration Shown

125 Series
1-1/4" (32mm) Diameter
Available Flanges:
E = exposed, S = snap

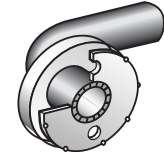


Concealed Flange

150 Series
1-1/2" (38mm) Diameter
Available Flanges:
C = concealed, E = exposed, S = snap



Exposed Flange



Snap Flange

CONSTRUCTION:

Tubing - fabricated of type 304 18-gauge (1.24mm) stainless steel. Exposed surfaces polished to a #4 satin-finish.

Concealed Flange - 1/2" (13mm) deep, 11-gauge (3mm) type 304 stainless steel, 3" (76mm) in diameter furnished with 3 stainless steel set screws and one back plate. Flanges and center posts are welded to tubing.

Snap Flange - mounting plate is 11-gauge (3mm) type 304 stainless steel, 3" (76mm) in diameter and welded to bar. Snap flange cover plate escutcheon, which is decorative only, is 22-gauge (0.8mm) type 304 stainless steel. Mounting plates and center posts are welded to tubing.

Exposed Flange - 10-gauge (3mm) type 304 stainless steel, 3" (76mm) in diameter with 3 countersunk mounting holes. Flanges and center posts are welded to tubing.

MOUNTING:

Clearance is distance between finished wall surface and inner edge of tubing. Standard clearance furnished is 1-1/2" (38mm). Required mounting height is 33" to 36" (838 to 914mm) from center-line of grab bar to finish floor. Screws (not furnished).

SPECIFICATIONS:

Grab bars have been designed and tested to withstand 1300 lbs. downward pull when properly installed. This exceeds HUD, HEW, FHA, VA, and other Federal, State, and local codes, including the Americans with Disabilities Act (ADA). Dimensions are measured from center-line to center-line of tubing, unless noted on grab bar application by circle dimensions which are from center-line of tubing to wall.

NOTES:

Custom made grab bars are available upon request. Custom made indoor or outdoor railing systems up to 4" (102mm) diameter are also available.

90° Angle Grab Bar shall be Model _____ (insert model number) of Gamco Commercial Restroom Accessories, A Division of Bobrick, Durant, OK