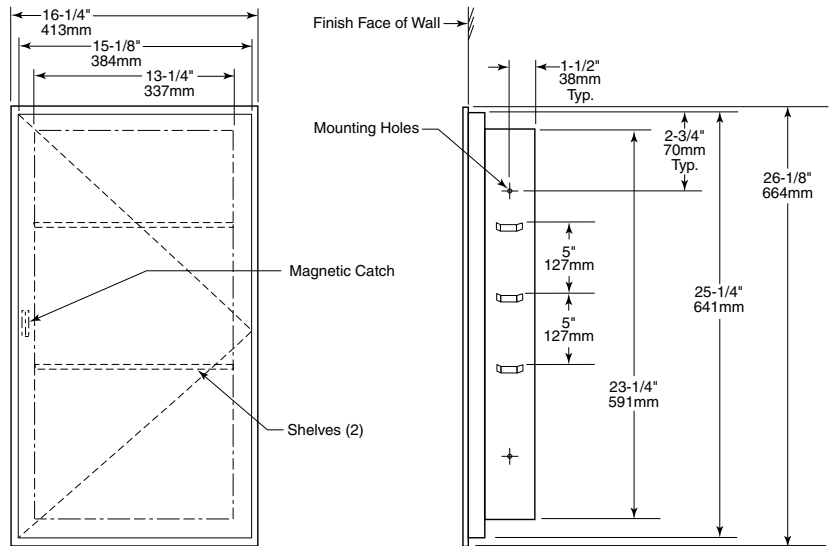
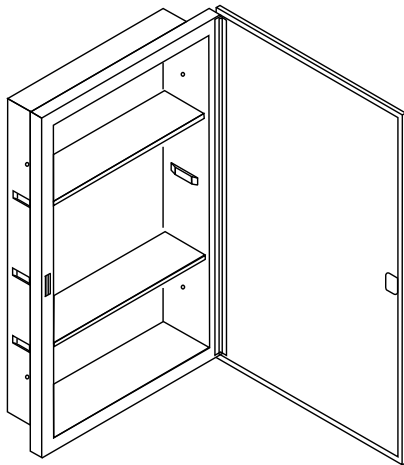


Date:

Project Name:



Rough Wall Opening
 14" (356mm) Wide
 23-3/4" (603mm) High
 3" (76mm) minimum
 recessed depth

MATERIALS:

Cabinet and two (2) shelves of 22-gauge (0.8mm) painted steel. Mirror frame of 22-gauge (0.8mm) polished stainless steel. Mirror is 1/4" (6mm) plate/float glass with 25-year guarantee against silver spoilage. Mounting screws are provided.

Recessed Medicine Cabinet shall be Model G-397 of Gamco Commercial Restroom Accessories, A Division of Bobrick, One Gamco Place, Durant, OK