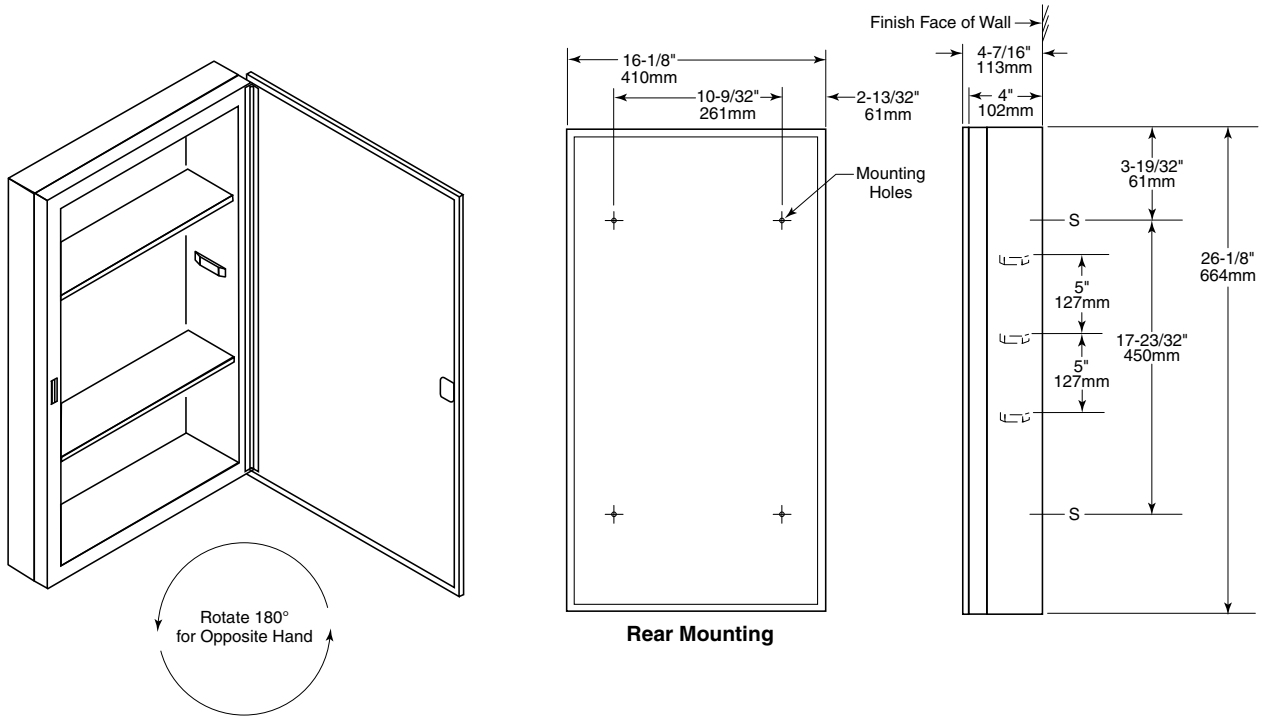


Date:

Project Name:



**MATERIALS:**

Cabinet and two (2) shelves of 22-gauge (0.8mm) painted steel. Mirror frame of 22-gauge (0.7mm) polished stainless steel. Mirror is 1/4" (6mm) plate/float glass with 25-year guarantee against silver spoilage. Mounting screws are provided.

**Surface-Mounted Medicine Cabinet shall be Model G-297FS of Gamco Commercial Restroom Accessories, A Division of Bobrick, One Gamco Place, Durant, OK**