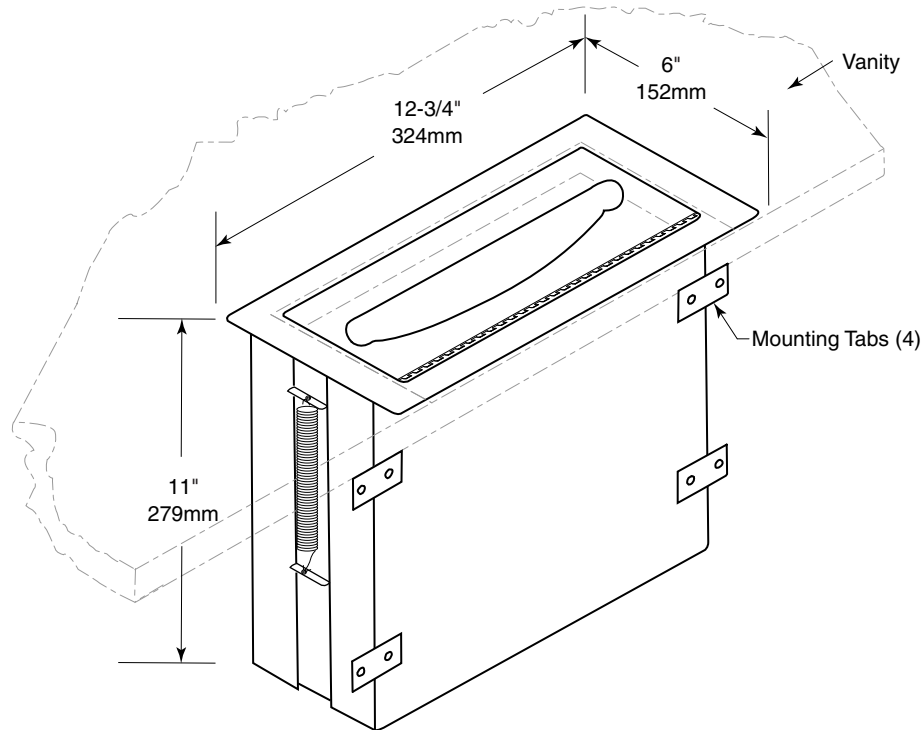


Date:

Project Name:



Rough Countertop Cutout

11-1/4" (286mm) Wide
4-1/2" (114mm) High
3/4" to 1-1/2" (19 to 38mm) mounting thickness
17" (430 mm) minimum clearance below
mounting surface

CONSTRUCTION:

Unit fabricated of 22-gauge (0.8mm), type 304 stainless steel with exposed surfaces having a satin-finish. Paper towels load into top of dispenser. Unit mounts through opening on top of vanity. All welded construction.

CAPACITY:

300 C-fold or 400 multi-fold towels.

OVERALL DIMENSIONS:

12-3/4" W x 11" H x 6" D (324 x 279 x 152mm)

MOUNTING:

Check with mechanical engineer for plans for counter-mounting.

Countertop Paper Towel Dispenser shall be Model CT-4 of GAMCO Commercial Restroom Accessories, A Division of Bobrick, One Gamco Place, Durant, OK