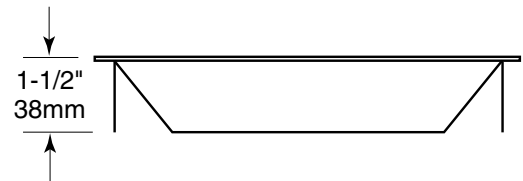
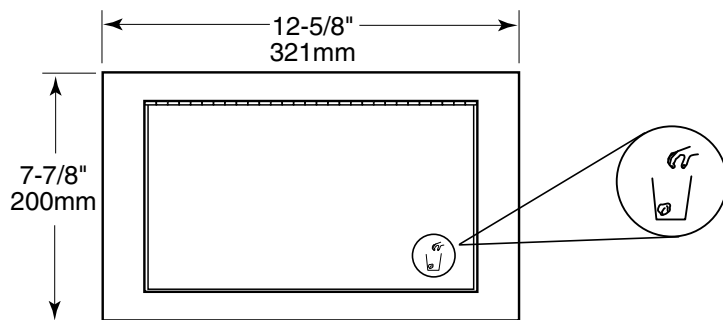
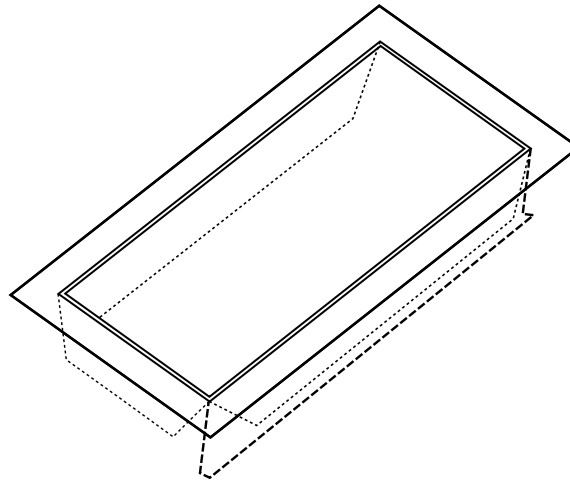


Date:

Project Name:



Rough Countertop Cutout

5-7/8" (149mm) wide
10-5/8" (270mm) high
3/4" to 1-1/2" (19 to 38mm) mounting thickness
17" (430mm) minimum clearance below
mounting surface

CONSTRUCTION:

Unit fabricated of 22-gauge (0.8mm) type 304 stainless steel with exposed surfaces having a satin-finish. Waste door is self closing, and mounted on a full length spring loaded stainless steel piano-hinge. All welded construction.

CAPACITY:

300 C-fold or 400 multi-fold towels

OVERALL DIMENSIONS:

7-7/8" W x 12-5/8" H (200 x 320mm)

MOUNTING:

Check with mechanical engineer for plans for counter-mounting.

Countertop Waste Door shall be Model CT-2 of Gamco Commercial Restroom Accessories, A Division of Bobrick, One Gamco Place, Durant, OK