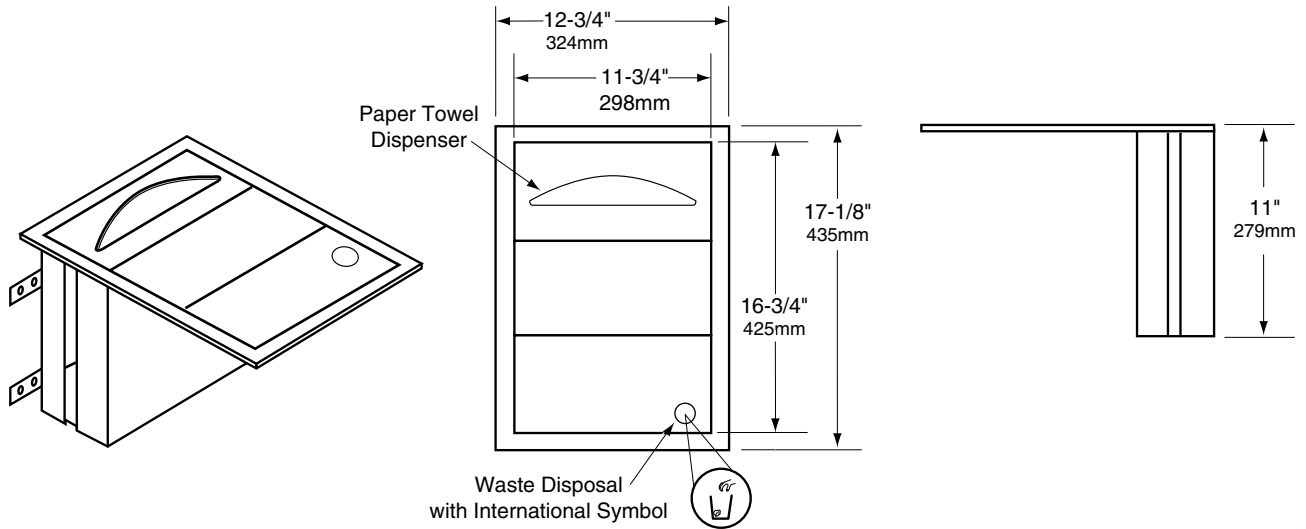


Date:

Project Name:



**Rough Countertop Cutout**  
 11-3/4" (298mm) wide  
 16-3/4" (425mm) high  
 3/4" to 1-1/2" (19 to 38mm) mounting thickness  
 17" (430mm) minimum clearance below  
 mounting surface

**CONSTRUCTION:**

Fabricated of 22-gauge (0.8mm), type 304 stainless steel with exposed surfaces having a #4 satin-finish. Paper towels load into top of dispenser. Waste door, with international waste symbol, is self-closing, and mounted on a full length spring loaded stainless steel piano hinge. All welded construction.

**CAPACITY:**

300 C-fold or multi-fold towels

**MOUNTING:**

Check with mechanical engineer for plans for counter mounting.

**Towel Dispenser and Waste Door for Countertops shall be Model CT-1 of Gamco Commercial Restroom Accessories, A Division of Bobrick, One Gamco Place, Durant, OK**