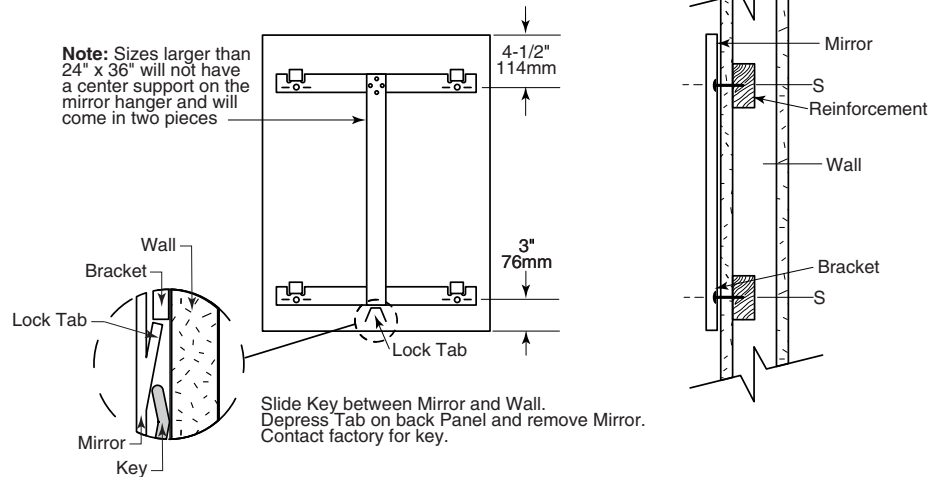
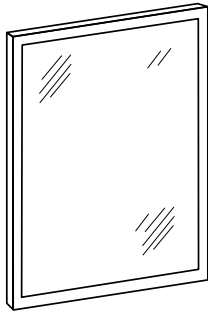


**OPTIONS:** *Special reflective surfaces, add suffix:*

- T 1/4" tempered glass mirror
  - L 1/4" laminated glass mirror
  - SS 20 gauge 430 bright anneal stainless steel
  - P 1/4" plastic (acrylic) mirror
- Custom sizes available

Date:

Project Name:



STANDARD C-SERIES MIRRORS			
MODEL NO.	OVERALL SIZE		
	W	H	
C-12 x 18	12" (30cm)	18" (46cm)	
C-14 x 20	14" (36cm)	20" (51cm)	
C-16 x 20	16" (41cm)	20" (51cm)	
C-16 x 24	16" (41cm)	24" (61cm)	
C-16 x 30	16" (41cm)	30" (76cm)	
C-18 x 24	18" (46cm)	24" (61cm)	
C-18 x 30	18" (46cm)	30" (76cm)	
C-18 x 36	18" (46cm)	36" (91cm)	

STANDARD C-SERIES MIRRORS			
MODEL NO.	OVERALL SIZE		
	W	H	
C-20 x 60	20" (51cm)	60" (152cm)	
C-24 x 24	24" (61cm)	24" (61cm)	
C-24 x 30	24" (61cm)	30" (76cm)	
C-24 x 36	24" (61cm)	36" (91cm)	
C-24 x 48	24" (61cm)	48" (122cm)	
C-24 x 60	24" (61cm)	60" (152cm)	
C-30 x 36	30" (76cm)	36" (91cm)	
C-36 x 24	36" (91cm)	24" (61cm)	

STANDARD C-SERIES MIRRORS			
MODEL NO.	OVERALL SIZE		
	W	H	
C-36 x 36	36" (91cm)	36" (91cm)	
C-36 x 48	36" (91cm)	48" (122cm)	
C-48 x 24	48" (122cm)	24" (61cm)	
C-48 x 30	48" (122cm)	30" (76cm)	
C-48 x 36	48" (122cm)	36" (91cm)	
C-60 x 24	60" (152cm)	24" (61cm)	
C-60 x 36	60" (152cm)	36" (91cm)	
C-72 x 36	72" (183cm)	36" (91cm)	

**CONSTRUCTION:**

**Frame** - 430 Bright anneal stainless steel, One piece roll formed angle is 1/2" x 1/2" x 1/2" (13 x 13 x 13mm). Mitered corners.

**Back Panel** - fabricated of galvanized steel with tab lock and slots formed to receive wall hanger tabs. Shock absorbing material is placed between mirror and back panel.

**Standard Mirror Glass** - #1 quality, 1/4" (6mm) plate/float glass guaranteed against silver spoilage for 25 years. Meets and exceeds federal specifications DD-M-00411B & C. S. 27.

**SPECIAL REFLECTIVE SURFACES:**

These surfaces resist breakage and provide a measure of safety from broken glass, but differ in color and reflective quality from standard glass mirrors.

**INSTALLATION:**

Surface-mounted. Mirror installs on concealed wall hanger and locks in place. See wall instructions to locate mirror wall hangers. Secure to wall with 4 #10 x 1-1/2" (38mm) flat head full threaded screws. Hang mirror on wall hanger to lock mirror in place. To remove mirror from wall, see slide key instructions. Mirror is replaceable in field. If key is required, call the factory.

**ADA GUIDE:**

Access to mirrors should be 40" (1016mm) from bottom edge of reflective surface to the finish floor. Full length mirrors will accommodate all facilities.

**Channel-Frame Mirrors shall be Model \_\_\_\_\_ C-Series (insert size) of Gamco Commercial Restroom Accessories, A Division of Bobrick, One Gamco Place, Durant, OK**