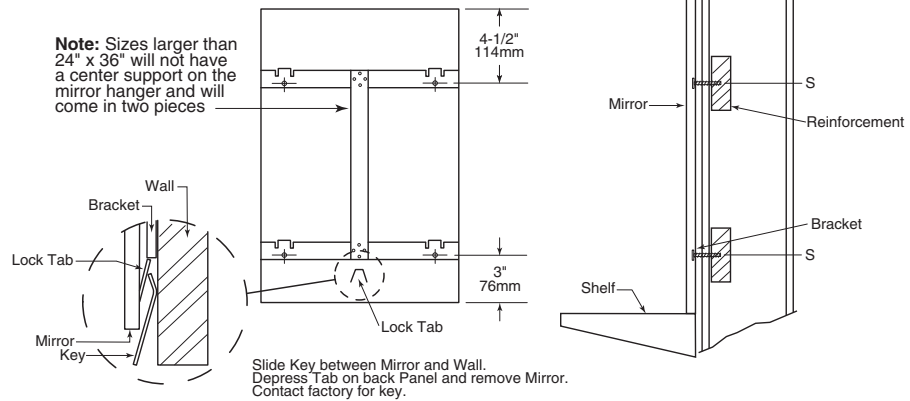
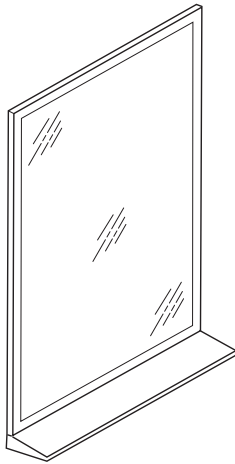


OPTIONS: *Special reflective surfaces, add suffix:*

- T 1/4" tempered glass mirror
 - L 1/4" laminated glass mirror
 - P 1/4" plastic (acrylic) mirror
- Custom sizes available

Date:

Project Name:



STANDARD AS-SERIES MIRRORS

MODEL NO.	OVERALL SIZE	
	W	H
AS-16 x 24	16" (41cm)	24" (61cm)
AS-18 x 24	18" (46cm)	24" (61cm)
AS-18 x 30	18" (46cm)	30" (76cm)
AS-18 x 36	18" (46cm)	36" (91cm)
AS-24 x 30	24" (61cm)	30" (76cm)
AS-24 x 36	24" (61cm)	36" (91cm)
AS-48 x 30	48" (122cm)	30" (76cm)
AS-48 x 36	48" (122cm)	36" (91cm)

STANDARD CS-SERIES MIRRORS

MODEL NO.	OVERALL SIZE	
	W	H
CS-16 x 20	16" (41cm)	20" (51cm)
CS-16 x 24	16" (41cm)	24" (61cm)
CS-18 x 24	18" (46cm)	24" (61cm)
CS-18 x 30	18" (46cm)	30" (76cm)
CS-18 x 36	18" (46cm)	36" (91cm)
CS-24 x 30	24" (61cm)	30" (76cm)
CS-24 x 36	24" (61cm)	36" (91cm)

CONSTRUCTION:

Angle Frame - fabricated of 18 gauge type 304 stainless steel having a satin-finish. One piece roll formed angle is 5/8" x 5/8" (16 x 16mm) welded-frame. All welded construction. Corners are welded and ground smooth.

Channel Frame - One piece roll formed channel is 1/2" x 1/2" x 1/2" (8 x 8 x 8mm) welded-frame. All welded construction.

Shelf - fabricated of type 304 stainless steel, satin-finish; projects 5-3/4" (146mm) and has 1/2" (13mm) flange on front.

Back Panel - fabricated of galvanized steel with tab lock and slots formed to receive wall hanger tabs. Shock absorbing material is placed between mirror and back panel.

Standar Mirror Glass - #1 quality, 1/4" (6mm) plate/float glass guaranteed against silver spoilage for 25 years. Meets and exceeds federal specifications DD-M-0041 1 B & C. S. 27.

SPECIAL REFLECTIVE SURFACES:

These surfaces resist breakage and provide a measure of safety from broken glass, but differ in color and reflective quality from standard glass mirrors.

INSTALLATION:

Surface-mounted. Mirror installs on concealed wall hanger and locks in place. See wall instructions to locate mirror wall hangers. Secure to wall with 4 #10 x 1-1/2: (38mm) flat head full threaded screws. Hang mirror on wall hanger to lock mirror in place. Install 2 #1/4" x 1-1/2" full head full thread scres in shelf flange mounting holes. To remove mirror from all, remove 2 #1/4" x 1-1/2" screws and see slide key instructions. Mirror is replaceable in field. If key is required, call factory.

ADA GUIDE:

Access to mirrors should be 40" (1016mm) from bottom edge of reflective surface to the finish floor. Full length mirrors will accommodate all facilities.

Angled or Channel-Frame Mirror with Shelf shall be Model _____ AS or CS-Series (insert series and size) of Gamco Commercial Restroom Accessories, A Division of Bobrick, Durant, OK