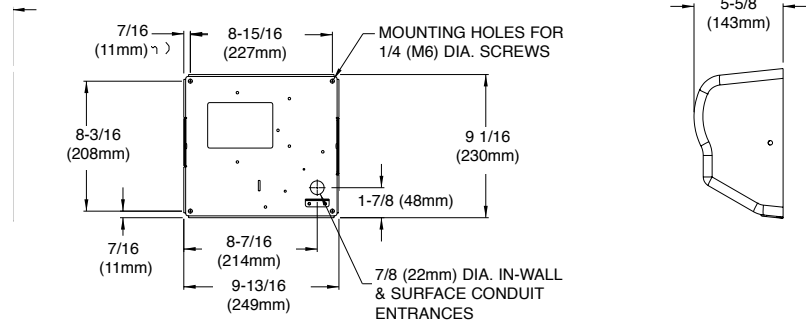
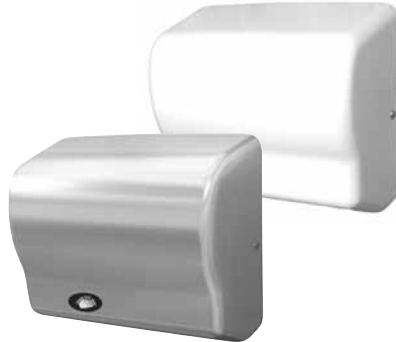


# AUTOMATIC HAND DRYER

## GX SERIES

Date: \_\_\_\_\_ Project Name: \_\_\_\_\_



### MODEL REFERENCE CHART

| Model |       |        | Electrical Ratings |      |       |       |
|-------|-------|--------|--------------------|------|-------|-------|
| ABS   | Steel | Steel  | Volts              | Amps | Watts | Hertz |
| White | White | Chrome |                    |      |       |       |
| GX1   | GX1-M | GX1-C  | 110-120            | 12   | 1500  | 50/60 |
| GX3   | GX3-M | GX3-C  | 208-240            | 6    | 1500  | 50/60 |

### SPECIFICATIONS

|                     |  |
|---------------------|--|
| <b>Air Flow</b>     | 130 CFM (Cubic Feet per Minute)  |
| <b>Air Velocity</b> | 4500 LFM (Linear Feet per Minute)  |
| <b>Air Temp</b>     | 130°F at 72° Ambient   |
| <b>Sound Level</b>  | 63dB (Quietest in its class)   |
| <b>Warranty</b>     | 5-year limited on GX-M/C<br>3-year limited on GX<br>1-year limited on all export dryers<br>See owner's manual for full details |

### RECOMMENDED MOUNTING HEIGHTS

|            | Men         | Women       | Children          | Handicapped |
|------------|-------------|-------------|-------------------|-------------|
| Hand Dryer | 44" (112cm) | 42" (107cm) | 32-42" (81-107cm) | 36" (91cm)  |

### DIMENSIONS

|                 | Width            | Height          | Depth           | Net Weight  |
|-----------------|------------------|-----------------|-----------------|-------------|
| Surface Mounted | 10-1/8" (25.7cm) | 9-3/8" (23.8cm) | 5-5/8" (14.3cm) | 10lbs (5kg) |

### OVERVIEW

The GX automatic hand dryers offer the best value in a maintenance-free hand dryer. The GX is designed to provide many years of trouble-free service. Stylish new design provides great performance while consuming less electricity. Options include a heavy-duty steel cover with a durable white enamel finish or a chrome-plated satin finish.

### CONSTRUCTION FEATURES:

**Cover** - One piece heavy-duty flame-retardant ABS polymer with white finish. Optional one-piece 18-gauge steel cover finished with electrostatically-applied, chip-resistant white epoxy finish (**M**), or chrome-plated satin finish (**C**).

**Motor** - Permanently lubricated, maintenance free, brushless induction motor with automatic resetting thermal protector. 1/12 HP, 3100 RPM.

**Automatic Sensor- RoHS compliant lead-free design.** Microprocessor controlled infrared sensor turns dryer on when hands are under the outlet for up to 80 seconds.

**Heating element** - Constructed of NiChrome resistance wire with automatic resetting thermostat. Heating element operates in the black range for maximum life.

### OPERATING COSTS

The only operating costs for the GX series is electricity. Based on a cost of \$0.10 per KWH:

Cost per 1000 hand dryings                      GX Series-\$1.92                      Paper Towels- \$23.44

Automatic hand dryer shall be Model \_\_\_\_\_ (insert model number) of Gamco Commercial Restroom Accessories, A Division of Bobrick, One Gamco Place, Durant, OK