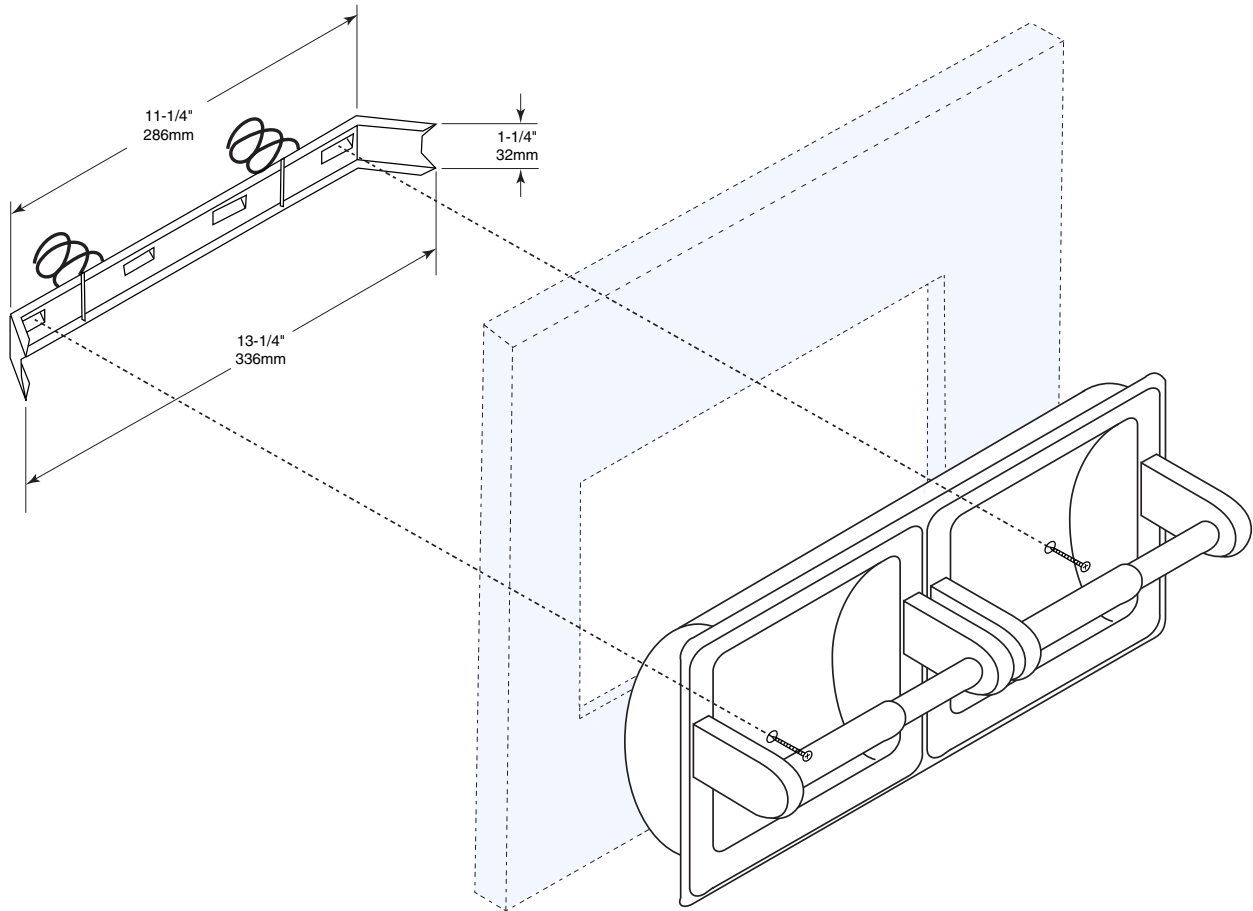


Date:

Project Name:



**INSTALLATION:**

Cut recommended wall opening. Unit installed with springs located at back wall. Screws through paper holder (soap dish) are screwed into corresponding slots of the clamp and tightened. Sides of the clamp expand to dig into the drywall as screws are tightened.

**Recessed Double Installation Clamp shall be Model 430-DBL of Gamco Commercial Restroom Accessories, A Division of Bobrick, Durant, OK**