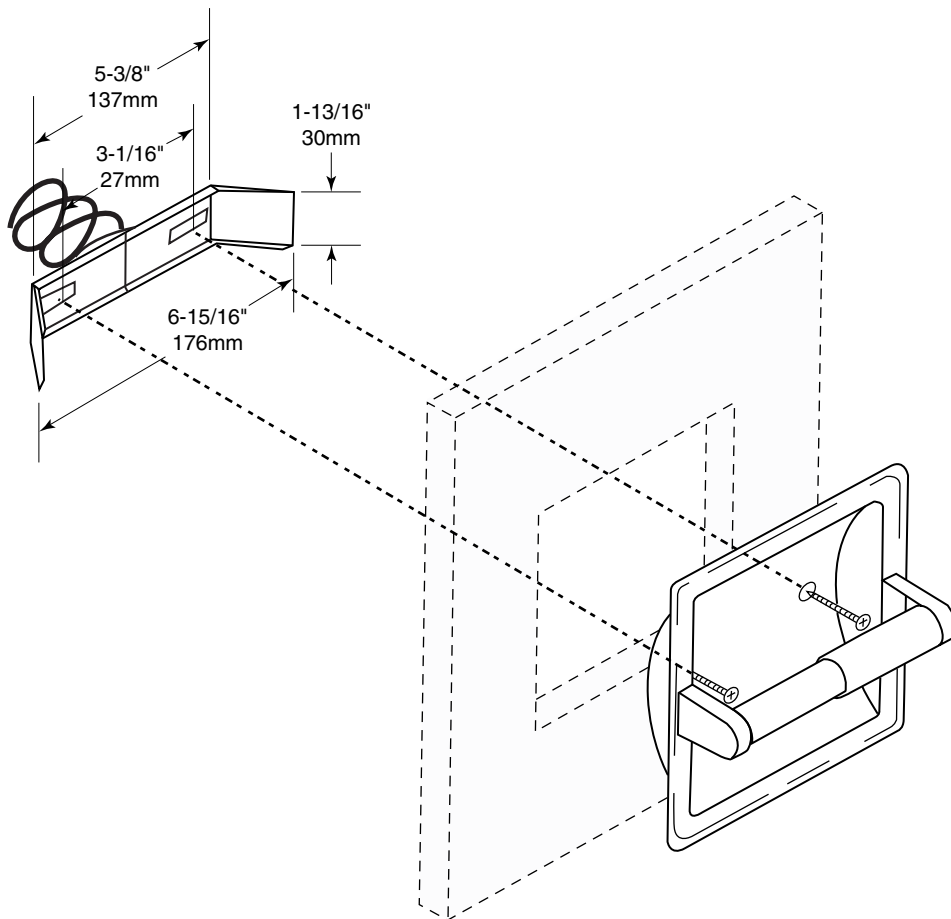


Date:

Project Name:



INSTALLATION:

Cut recommended wall opening. Center spring and clamp (as shown) in wall opening. Align holes of unit with holes of clap. Insert screws in holes and tighten.

Recessed Single Installation Clamp shall be Model 430 of Gamco Commercial Restroom Accessories, A Division of Bobrick, Durant, OK