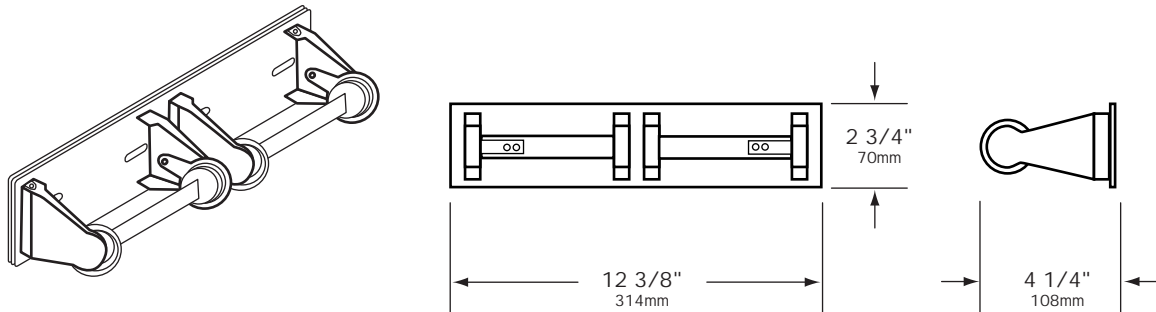




## 23 Toilet Tissue Dispenser



**Construction:**

Pilfer Proof Locking Device, Chrome Finish, hinged arm extends through core of toilet tissue

**Capacity:**

Double Roll

**Options:**

22 Single Toilet Dispenser: same as above for single core toilet tissue

**Overall Dimensions:**

12-3/8" (314mm)W x 2-3/4" (70mm)H x 4-1/4" (108mm)D

**Mounting:**

ADA mounting guide - Toilet tissue rolls should be mounted with forward edge no more than 36" (914mm) from the back wall of stall. All toilet tissue dispensers should be mounted with their horizontal centerline at least 19" (483mm) above the finish floor.

*Manufacturer reserves the right to make changes in design or dimensions without formal notice.*