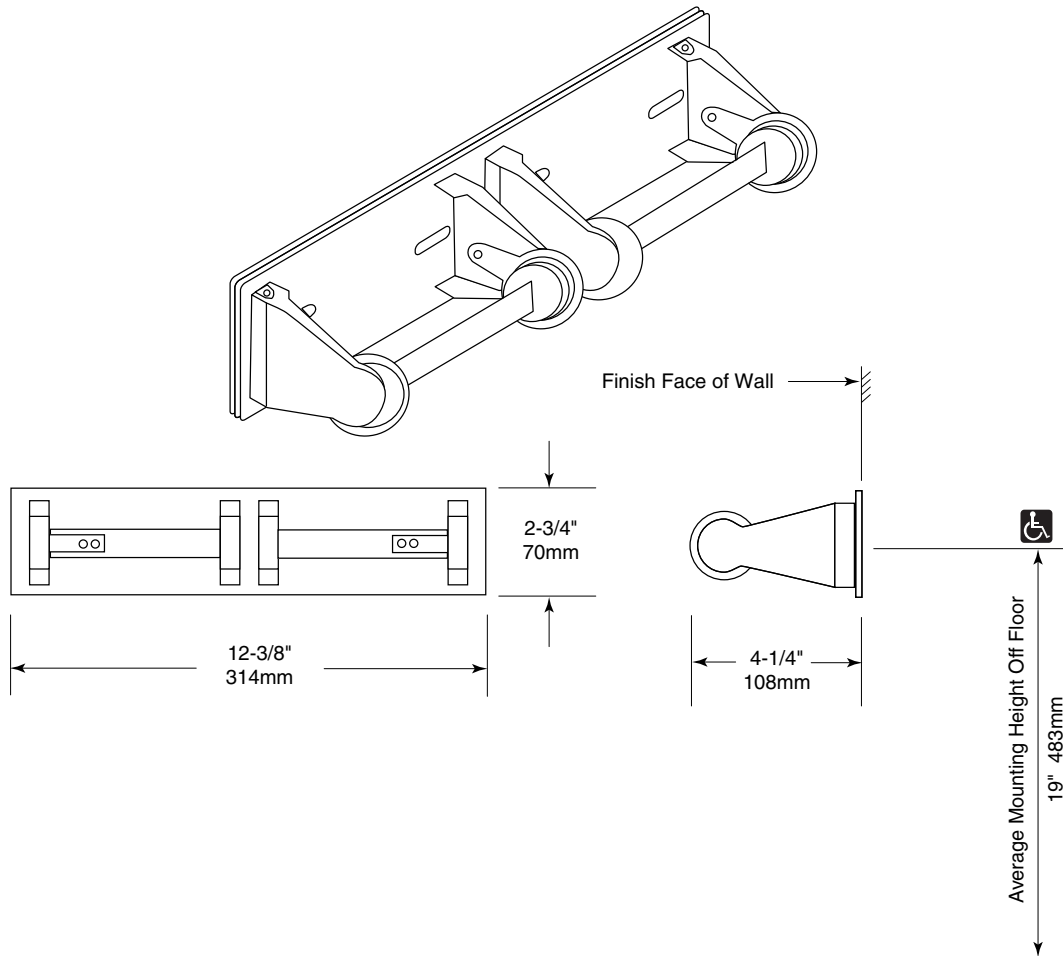


Date:

Project Name:



CONSTRUCTION:

Bright-polished chrome-plated steel. Theft-resistant locking device.

CAPACITY:

Holds two standard core toilet tissue rolls up to 5" (127mm) diameter.

OVERALL DIMENSIONS:

12-3/8" W x 2-3/4" H x 4-1/4" D (314 x 70 x 108mm)

ADA GUIDE:

Toilet tissue rolls should be mounted with forward edge no more than 36" (914mm) from the back wall of stall. All toilet tissue dispensers should be mounted with their horizontal center-line at least 19" (483mm) above the finish floor.

Surface-Mounted Toilet Tissue Holder Double Roll shall be Model 23 of Gamco Commercial Restroom Accessories, A Division of Bobrick, Durant, OK