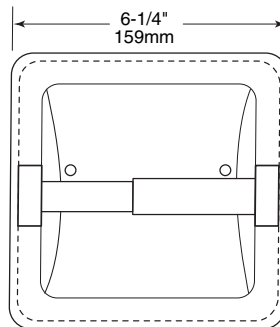
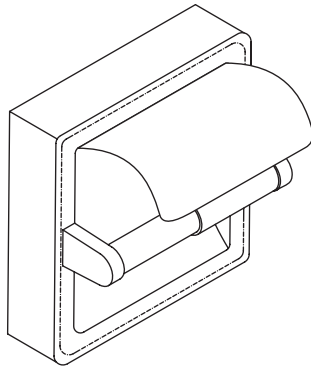
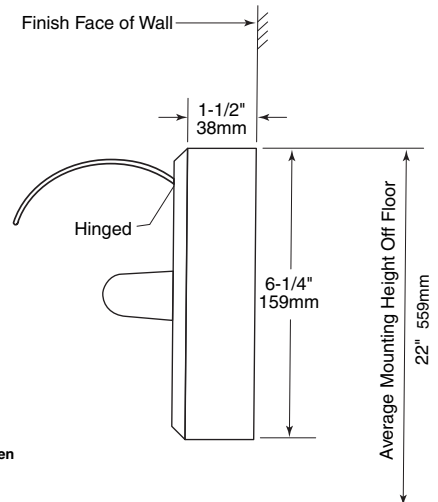


Date:

Project Name:



Unit Shown Without Hood to Allow Mounting Screws to be Seen



**CONSTRUCTION:**

Polished stainless steel with hood. Mounting screws included.

**CAPACITY:**

Holds standard core toilet tissue roll up to 5-1/4" (133mm) diameter.

**OVERALL DIMENSIONS:**

6-1/4" W x 6-1/4" H (157 x 157mm) projects 3-1/4" (83mm) from wall.

**Surface-Mounted Toilet Tissue Holder with Hood shall be Model 212 FS of Gamco Commercial Restroom Accessories, A Division of Bobrick, Durant, OK**