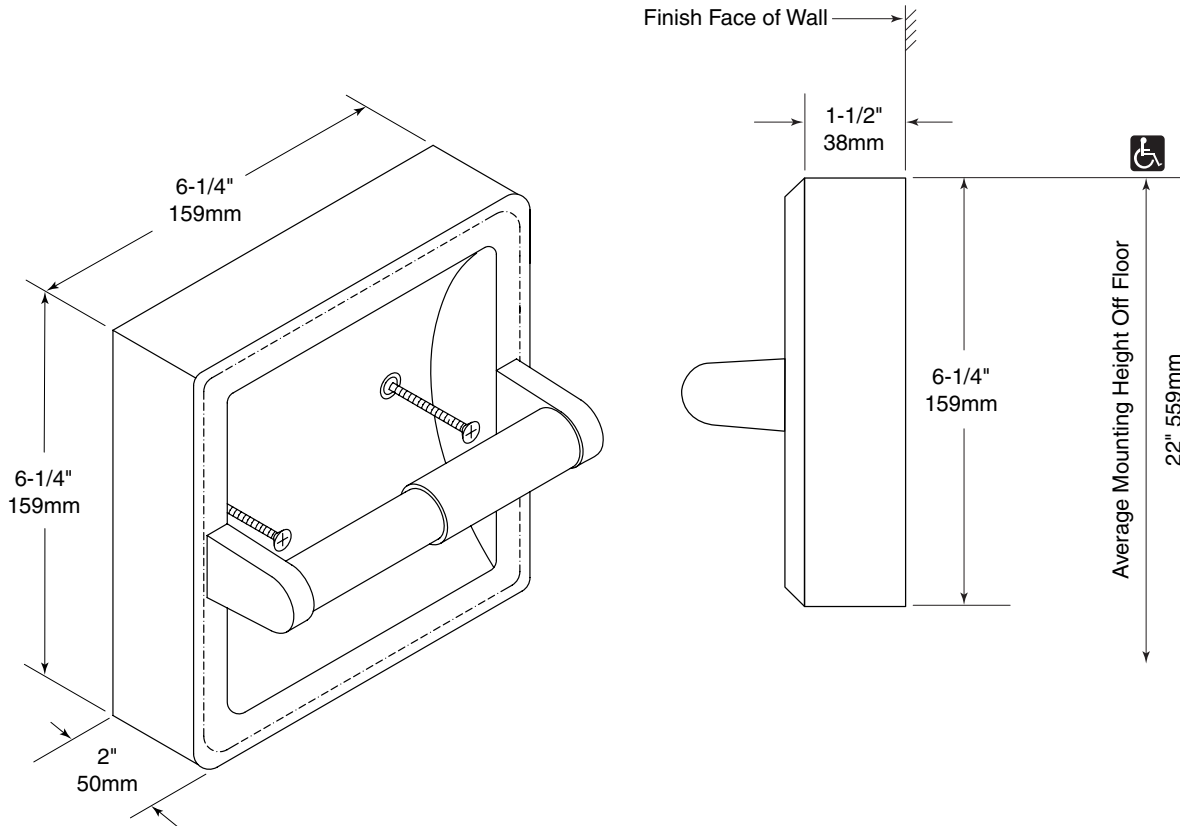


Date:

Project Name:



CONSTRUCTION:

Polished stainless steel with chrome roller. Mounting screws included.

CAPACITY:

Holds standard core toilet tissue roll up to 5-1/4" (133mm) diameter.

OVERALL DIMENSIONS:

6-1/4" W x 6-1/4" H (157 x 157mm) projects 3-1/4" (83mm) from wall.

Surface-Mounted Toilet Tissue Holder shall be Model 212-FS of GAMCO Commercial Restroom Accessories, A Division of Bobrick, One Gamco Place, Durant, OK 74701-1910, Tel: 1-800-451-5766, Web: www.GAMCOUSA.com