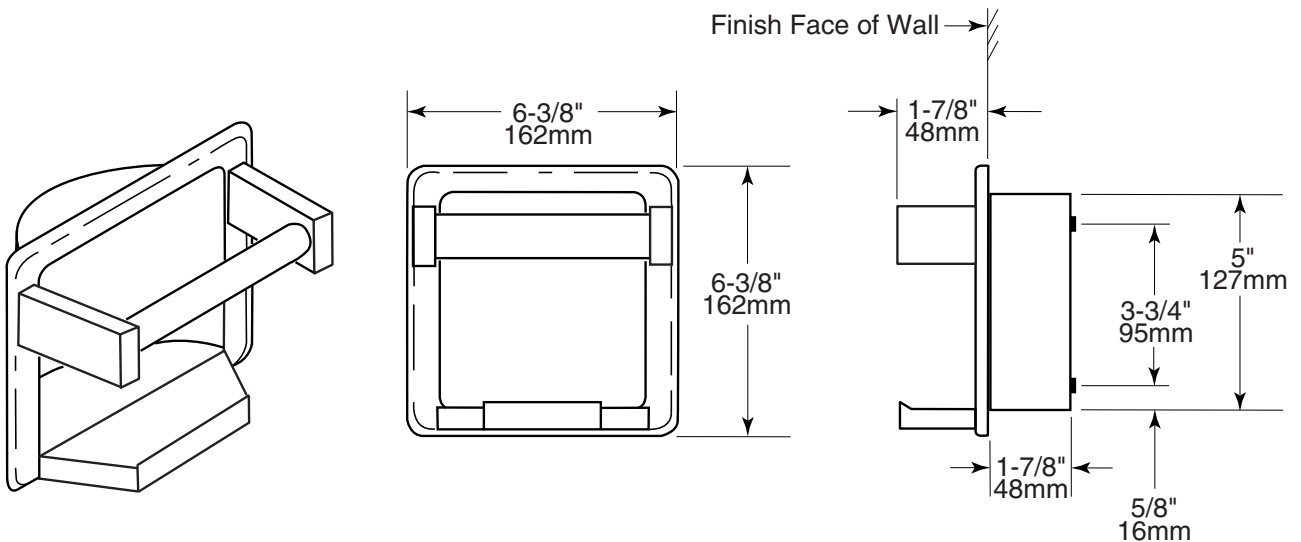


Date:

Project Name:



CONSTRUCTION:

Stainless steel recess shells are stamped from 22-gauge (0.8mm) corrosion resistant type 304 stainless steel and are polished or have a satin-finish. Projecting posts are of 22-gauge (0.8mm) type 304 polished or satin-finished stainless steel. Bar tubing is of 3/4" x 0.015" (19 x 0.38mm) 20-gauge (1mm) round type 304 polished or satin-finished stainless steel. Permanent soap holder is chrome plated.

INSTALLATION:

Cut out wall opening 5-1/4" x 5-1/4" x 2" (133 x 133 x 51mm) depth. If wood blocking is available, install recess shell into opening using 2- #8 x 1-1/4" (32mm) flathead stainless steel screws provided. If wood blocking is not available, use optional 430 or 430LS recess wall clamps.

Soap Dish with Bar shall be Model B-210 of Gamco Commercial Restroom Accessories, A Division of Bobrick, Durant, OK