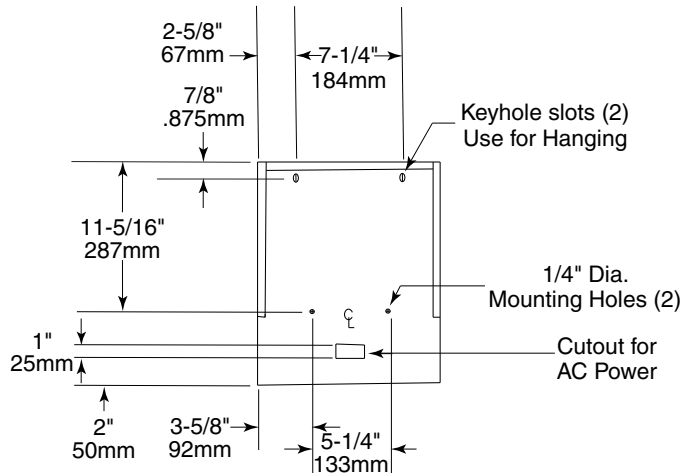
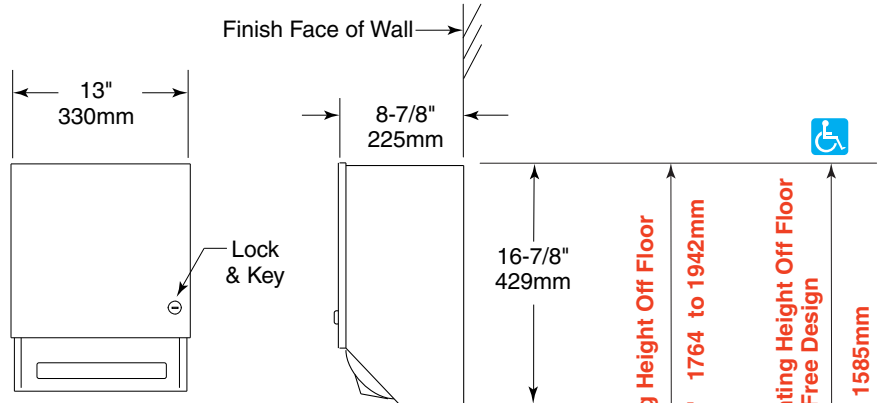
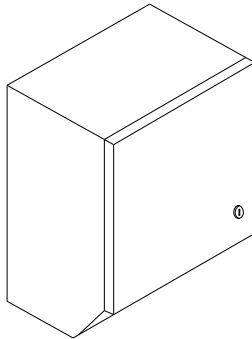


**SURFACE-MOUNTED
AUTOMATIC
TOUCHLESS ROLL
PAPER TOWEL DISPENSER**

TD-11RP-T

Date:

Project Name:



Back View

CONSTRUCTION:

Unit fabricated of Type 304 stainless steel with exposed surfaces satin-finished. Door fabricated of EXTRA HEAVY 18-gauge (1.2mm) and is mounted to cabinet with continuous stainless steel piano hinged, and fitted with tumbler lock.

SYSTEM FEATURES & INFRARED DISPENSER SPECIFICATIONS:

- Towels are dispensed automatically when hands are placed below dispenser
- Large detection zone for easy and reliable operation
- Towels are not exposed at all
- Smooth and quiet delivery
- Easy to load paper
- Operates on 4 each "D" size alkaline batteries
- Battery life can exceed 36,000 hand dries
- Optional AC to DC Power Supply Kit is available
- Stub roll transfer system to eliminate paper waste
- Individually adjustable modes for paper saving, time delay and sheet length

CAPACITY:

Accepts universal roll paper, 7-3/4" to 8" (197 to 203mm) wide and up to 8" (203mm) in diameter. 1-1/2" to 2" (38 to 51mm) core.

OVERALL DIMENSIONS:

13" W x 16-7/8" H x 8-7/8" D (330 x 429 x 225mm)

Surface-Mounted Automatic Touchless Roll Paper Towel Dispenser shall be Model TD-11RP-T of Gamco Commercial Restroom Accessories, One Gamco Place, Durant, OK, 74701-1910