


Electrical Specifications: 115 AC, 20 Amp, 60 Hz, 2300 Watts, Single Phase, cULus Listed.

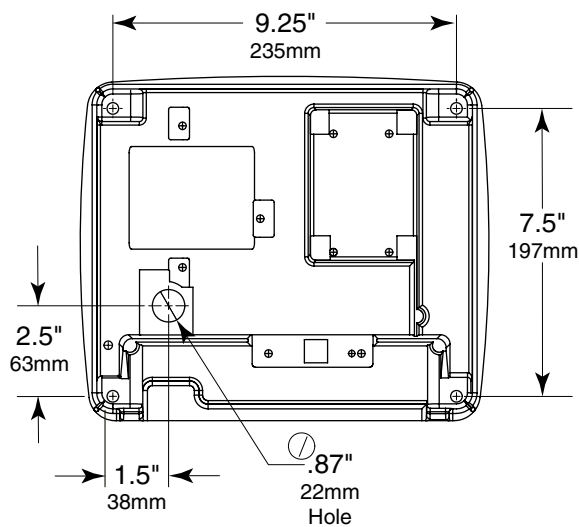


***RECOMMENDED MOUNTING HEIGHTS**

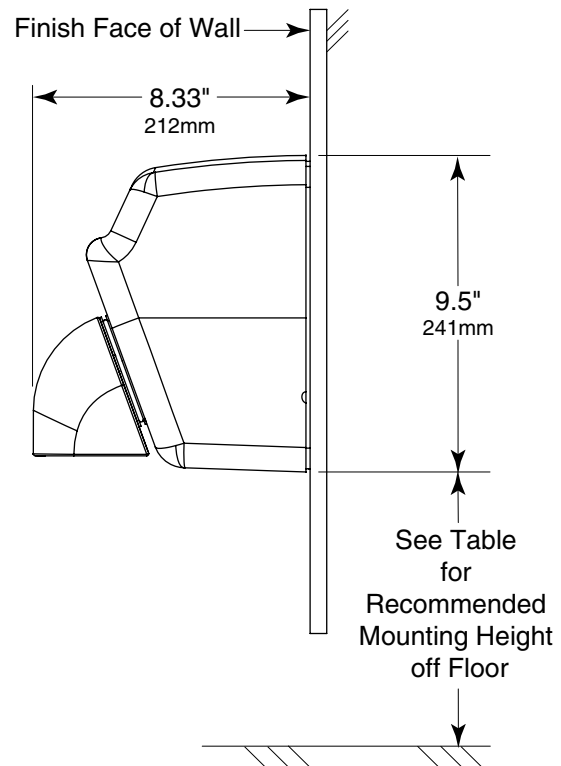
Children's Washrooms, ages 3-4	36" (915mm)
Children's Washrooms, ages 5-8	40" (1015mm)
Children's Washrooms, ages 9-12	44" (1120mm)
 Universal Design	48" (1219mm)

*Bottom screw hole of mounting base to finish face of floor

Front View Wall Mounting



Side View



continued . . .

MATERIALS:

Cover — 1/4" thick cast iron with porcelain enamel finish. The nozzle is constructed of die-cast alloy finished in bright chrome

Mounting Base — Equipped with four mounting holes and one hole suitable for between-wall wiring.

Motor/Fan — Thermally-protected, universal, 1/10 hp brush-type motor, operating at 7500 rpm. Dryer shall deliver 200 cubic feet per minute of air 7300 lfm.

Heating Element — Incorporates a 2100 watt Nichrome wire heating element protected by an automatic-resetting, thermal cutoff. Dryer shall provide a 68° F temperature rise.

Electronic Control — Infrared sensor automatically turns dryer on when hands are held under air-outlet opening and across path of sensor. Remove hands from path of sensor and dryer stops. Electronic sensor has automatic shutoff. Turns off if an inanimate object is placed across air-outlet opening. After inanimate object is removed, electronic sensor automatically resets itself and dryer operates normally

OPERATION:

No-Touch Operation: Electronic sensor automatically turns dryer on when hands are held under air outlet opening and across path of sensor. Remove hands from path of sensor and dryer stops. Dryer operates only when actually drying hands, which saves energy and operating costs. Electronic sensor will automatically shut dryer off if an inanimate object, such as tape or chewing gum, is placed across air-outlet opening. After inanimate object is removed, electronic sensor automatically resets itself and dryer operates normally.

10-Year Limited Warranty — Gamco extends a limited 10 year warranty, 5 years on electronic controls from the date of purchase for DR-5708 hand dryer motor brushes excluded, to the original owner of the installed unit against defects in factory workmanship or material under normal use and service. This warranty is limited to the repair or exchange of defective parts at the option of Gamco.

SPECIFICATION:

Surface-mounted hand dryer shall have shall have a 1/4" thick cast iron cover with porcelain enamel finish. Motor shall be universal type, 1/10 hp at 7500 rpm. Dryers shall deliver 200 cubic feet per minute of air volume (7300 lfm) Dryer controller shall automatically energize the dryer when hands are detected in the infrared sensing zone. The dryer will either automatically turn off immediately after hands are removed, or after 1-1/2 minutes of continuous usage. The controller will automatically reset after any obstructions are removed. The unit shall be cULus listed. Unit shall comply with EU Directive "Restriction of Hazardous Substances" (RoHS) requirements for non-use of certain hazardous substances in the production of electronic products. Unit shall be protected by a limited 10 year warranty, 5 years on electronic controls.

Surface-Mounted Hand Dryer shall be Model DR-5708 of Gamco Commercial Restroom Accessories, One Gamco Place, Durant, OK, 74701-1910